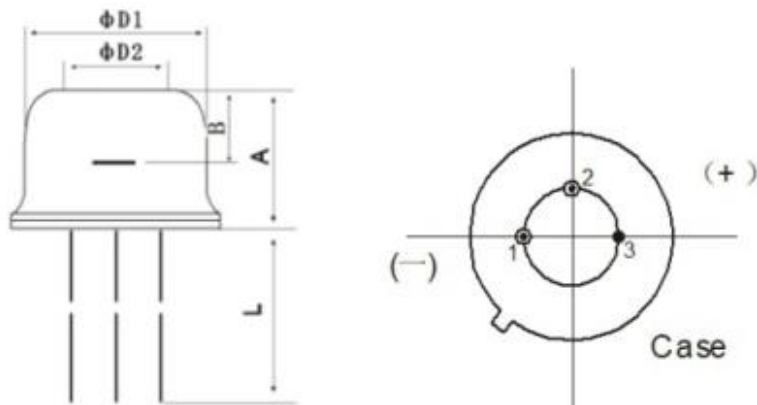


parameter	Symbol	Testing Conditions	Min	Typical	Max.	Unit
Spectral range	$\lambda$	—	400	850	1100	nm
Photosurface diam		—		800		$\mu\text{m}$
responsivity	Re	M=100; $\lambda = 905\text{nm}$	52	65		A/W
Reverse breakdown voltage		$I_R=2\ \mu\text{A}$ ; Empty-Illumination	160		240	V
Dark Current	$I_D$	$V_R=0.9V_{BR}$ ; Empty-Illumination		3	25	nA
capacitance	C	$V_R=0.9V_{BR}$		1		pF
Reverse breakdown voltage temperature coefficient		$I_R=2\ \mu\text{A}$ ; Empty-Illumination; $-55^\circ\text{C}\sim 85^\circ\text{C}$		3.3		V/ $^\circ\text{C}$

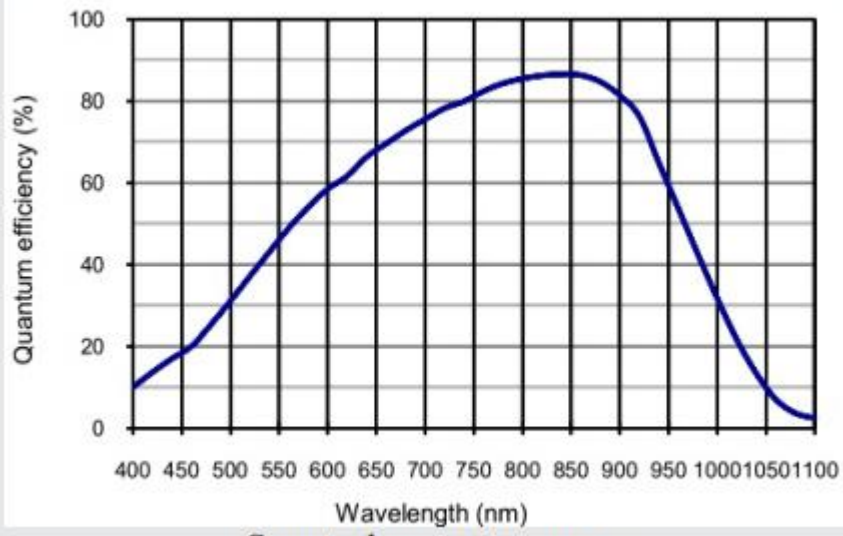


PIN 1: Cathode

PIN 2: Gnd

PIN 3: Anode

Symbol	Min	Typ	Max	Units
$\Phi D1$	4.6	4.7	4.8	mm
$\Phi D2$	2.45	2.5	2.55	mm
A	3.4	3.6	3.8	mm
B	0.75	0.8	0.58	mm
L	12	13	14	mm



Spectral response curve