



西安禾盛达机械设备有限公司
Xi'an HSender Mechanical Equipment Co.,Ltd

Company Profile

Excellent rock drilling equipment supplier



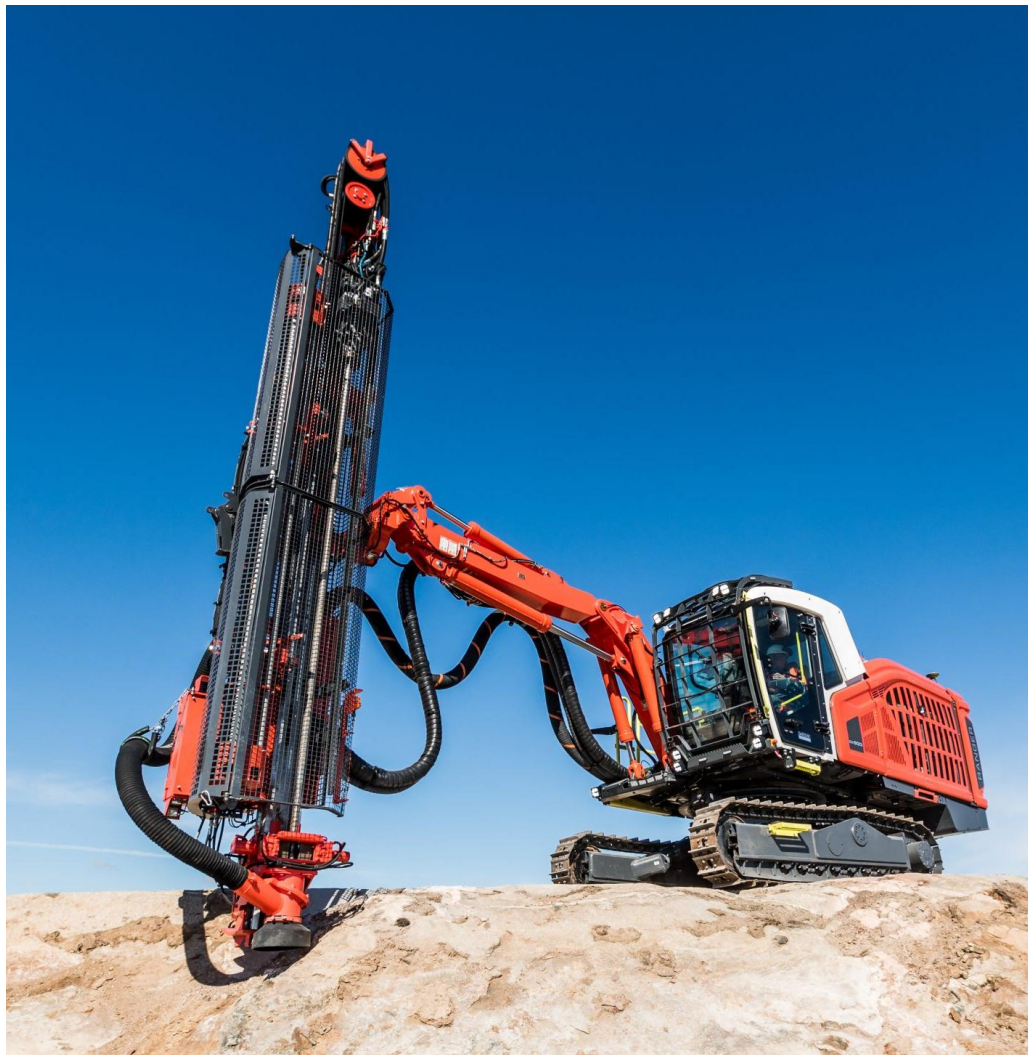


西安禾盛达机械设备有限公司

Xi'an HSender Mechanical Equipment Co.,Ltd

Tel: 86 13201832726

E-mail : weijunlihz@gmial.com



Heshengda is one of the important participants in the sustainable development of circular economy, energy saving and environmental protection, and is an important partner of customers in tunneling, mining and infrastructure construction. It is a company that focuses on R&D, production, sales and service: rock drilling rigs, drilling rig accessories, water well drills, manual pneumatic drills, rock drilling rigs, drilling tools (drill pipes, drill bits, shanks, link sleeves), and seals. Since the establishment of the company, relying on rich resources at home and abroad, it has achieved good results in the professional field. Relying on the global market-oriented, high-quality products and fast and effective after-sales service, the company has won the trust and support of customers at home and abroad. The company has a professional R&D, production, sales and after-sales team. It has established long-term and stable cooperative relations with enterprises in many countries around the world.

Customer satisfaction is our goal. Heshengda is also willing to form strategic partners with various enterprises to face the changes of the big market and the big environment together.

Contribute to the more efficient and rapid development of tunneling, mining and infrastructure in the world.



西安禾盛达机械设备有限公司

Xi'an HSender Mechanical Equipment Co.,Ltd

Tel: 86 13201832726

E-mail : weijunlihz@gmial.com

1. The complete machine, spare parts supply and professional after-sales service are integrated
2. The production process is perfect, contribute to environmental protection, and add blessings to the world
3. Excellent product quality and reasonable design structure
4. Improve your productivity and profitability
5. The price is reasonable, let users benefit, and achieve a win-win situation
6. To provide you with the greatest economic value



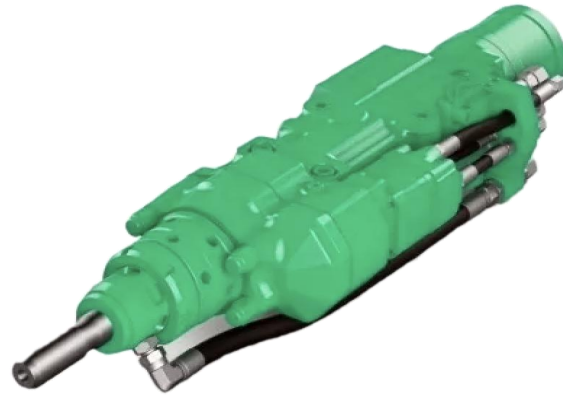


西安禾盛达机械设备有限公司
Xi'an HSender Mechanical Equipment Co.,Ltd

Tel: 86 13201832726
E-mail : weijunlihz@gmial.com



Drill rigs



Rock drill



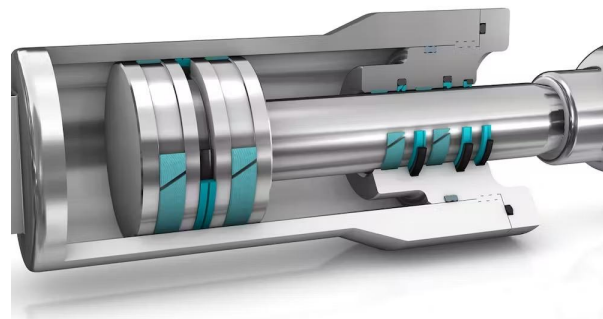
Rock drilling tools



Drill Rigs accessories



Static Seal



Hydraulic Seal



Rotary seal



Rock drill seal kit

Drill rig

Tel: 86 13201832726

E-mail : weijunlihz@gmial.com

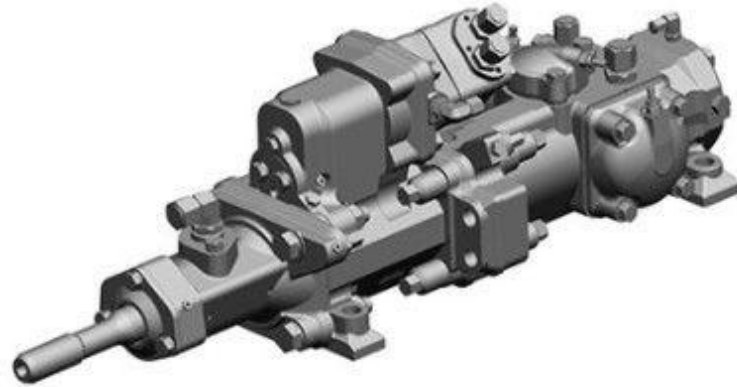
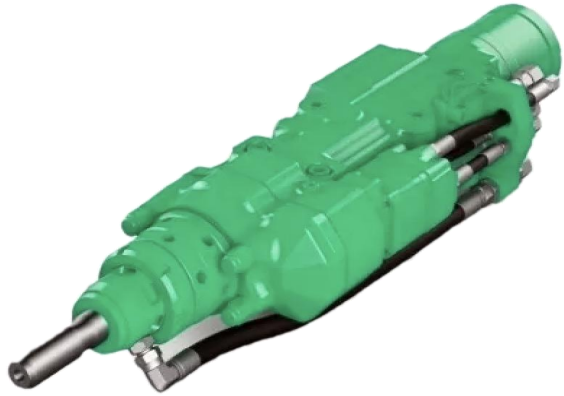


Rock drilling trolley is a kind of rock drilling equipment used in tunnel and underground engineering. It can move and support multiple drilling machines simultaneously. The working mechanism is mainly composed of propeller, drill arm, rotary mechanism and translation mechanism. Rock drilling trolley can be divided into drift drilling trolley, mining drilling trolley, and so on; According to the walking mechanism of the drill car, it can be divided into rail wheel, tire and crawler type. According to the number of set up drilling machine can be divided into single machine, double machine and multi machine drill car. The development status, working organization, classification, application failure analysis and development trend are introduced in detail. Drill trolleys are used to drill blasting holes in underground mining and tunnel excavation. These RIGS can be equipped with up to four drill arms and ca

Rock Drill

Tel: 86 13201832726

E-mail : weijunlihz@gmial.com



Rock drill the result of years of experience in hydraulic rock breakers and drifters design and manufacturing. In-depth knowledge of shock wave transmission and percussion mechanism theory has allowed our engineers to be the first to develop new concepts such as hydraulic dampening and progressive blow energy. Our close relationship between manufacturing and engineering, ultra modern machining tools, and sophisticated heat treatment workshop in our Saint-Priest plant, are some of the factors that have allowed us to offer hydraulic drifters which are recognized as the worldwide leaders for:

- * **High performance**
- * **Best reliability**
- * **Long maintenance intervals**
- * **Low tool consumption**

Rock drilling tools

Tel: 86 13201832726

E-mail : weijunlihz@gmial.com

Hydraulic rock drilling tool accessories are efficient and reliable excavation and drilling tools that can be used to mine various types of rock and soil. This accessory is made of high-quality materials, processed and tested with high precision to ensure the stability of its quality and performance.

This accessory has a variety of excellent functional features, including efficient and stable drilling capability, reliable wear resistance, durable mechanical design, high adaptability and quick disassembly and assembly capabilities. These features allow this accessory to perform more efficiently in conventional rock excavation and drilling, quickly increasing productivity and efficiency.

Our hydraulic rock drilling tool accessories are the result of years of development and practice, with novel designs and innovative technologies. We use the most cutting-edge production technology and equipment, and manufacture in strict accordance with international standards to ensure product consistency and quality.



DRILL BIT



DRILL ROD



COUPLING



SHANK ADAPTER

Drill Rigs accessories

Tel: 86 13201832726

E-mail : weijunlihz@gmial.com

Our products involve hydraulic drilling rig accessories and drilling rig accessories, which can meet the accessories needs of the engineering drilling industry. At the same time, we provide two types of original and third-party replacement parts, which can meet customers' various selection needs.

From the point of view of product characteristics, the raw materials of our hydraulic drilling rig accessories and drilling rig accessories are all high-quality materials, which can ensure the reliability of product performance. The selection of raw materials ensures that the product can operate normally in harsh engineering environments and give full play to its functions and performance.

Our third-party replacement parts are also high quality and reliable, but at a more affordable price. These accessories can not only completely replace the position of original accessories, but also have better cost performance.

All in all, our products are of high quality and reliability, and have a variety of options, which can fully meet the needs of different customers. Our service tenet is to provide customers with the best products and solutions, so that customers can experience better quality and service.





O-ring is a sealing element that can seal in both directions, the initial sealing capacity of O-ring is achieved by installing radial or axial precompression in various forms of mounting grooves, O-ring will increase deformation with the increase of working pressure, the sealing effect is enhanced, when the working pressure drops to 0, the deformation returns to the original compression state of the installation.



Star ring is the most commonly used seal in hydraulic cylinder, it is a typical lip seal, whether used for piston or piston rod can obtain a good sealing effect, U-ring in the case of low pressure, only by the interference deformation of the lip to produce sealing, because of the small contact area, the friction force is relatively low, as the pressure rises, the elastic deformation of the lip increases, tensile, compression and bending stress increases, the radial compression force of the U-ring automatically becomes larger, and the length of contact with the sealing surface continues to increase, until the entire axial length of the U-ring is in contact with the sealing surface, This ensures good sealing under high pressure.



The retaining ring does not have a sealing function, and the use of retaining rings prevents the O-ring from being squeezed into the installation clearance on the low pressure side, thereby maintaining the sealing function of the O-ring The retaining ring has no sealing function, and its function is to protect and prevent the extrusion of the seal. The retaining ring is often installed in the groove with the elastic seal ring. It is specially suitable for use with the O-ring and the star ring. Because the retaining ring is tightly installed in the groove, the retaining ring can prevent the elastic seal ring from being squeezed into the gap after compression. The retaining ring generally has a rectangular section, especially in line with the corresponding O-ring, star ring groove size.

Hydraulic Seal

Tel: 86 13201832726

E-mail : weijunlihz@gmial.com

U-rings have a symmetrically configured sealing lip for single or double-acting standard hydraulic cylinders for piston rods or pistons.

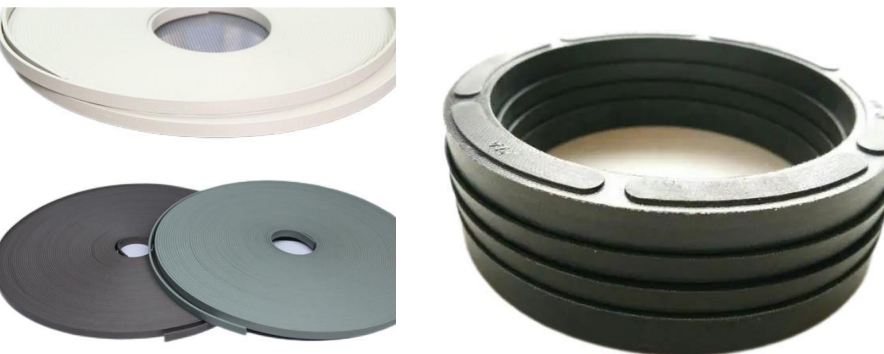
The dust ring is mounted on the piston rod to prevent external dust from mixing with the reciprocating seal of the hydraulic cylinder.

It consists of rubber O-ring and teflon ring. The O-ring is applied, and the tetrafluororing is a sealed double-acting piston. Low friction, no crawling, little power, high pressure. It can be divided into hole and shaft

A combination seal is a combination of two-way acting piston seals. Combined seals suitable for installation in closed grooves. The oil seal is a double-acting piston seal consisting of three parts: an elastomer, two support rings, and two guide rings. In the middle a sealing element that really plays the role of sealing; A retaining ring and a wear ring are placed on each side.

The function of the guide belt is to prevent contact friction and wear between the hydraulic cylinder plug and the cylinder barrel or the piston rod and the inner wall of the guide sleeve during movement.

V-shaped seals with a wide range of applications and can be used to seal shafts or bores. Multiple combined installations are used in high and low pressure water pressure and hydraulic machines, especially suitable for high pressure, large diameter, high speed, long stroke and other harsh working conditions. which can work normally under very harsh conditions, and has a long service life, and can be optimally combined to adapt to height and various uses. Suitable for applications with rapid pressure changes.



Rotary seal

Tel: 86 13201832726

E-mail : weijunlihz@gmial.com



The function of oil seals is generally to isolate the parts that need to be lubricated in the transmission parts from the external environment, so as not to let the lubricating oil leak. The skeleton strengthens and allows the oil seal to maintain shape and tension. According to the structural form, it can be divided into single-lip skeleton oil seal and double-lip skeleton oil seal. The auxiliary lip of the oil seal of the double lip skeleton plays a dust-proof role to prevent external dust, impurities, etc. from entering the inside of the machine. According to the skeleton type, it can be divided into inner skeleton oil seal, exposed skeleton oil seal and assembled oil seal.

Water seal is a kind of axial lip seal made of pure rubber, it is commonly used for metallurgical machinery roller shaft head axial face seal, water seal relies on its body to the journal tension to fix it on the journal of the rotation shaft, while using its lip curvature performance and its urgency on the seal force of the sealing pair, thereby preventing water and impurities from entering the roll rotation lubrication sealing body during the roll. The hydroseal uses the fluid centrifugal force of the cooling water present outside during the rotation process to keep impurities and dust in the cooling water out of the sealing chamber while preventing grease leakage inside the sealing chamber.

The cassette seal is completely hermetically sealed, forming a labyrinth filled with grease inside, with several seals and dust lips (radial and axial). The main sealing lip is spring-driven. This effectively prevents the penetration of dirt, mud, water and dust. Grease dosing reduces wear and extends service life, resulting in longer maintenance intervals for heavy-duty applications.

U-shaped Teflon high-performance seal with a special spring, which is composed of appropriate spring force and system fluid pressure, the sealing lip (face) is pushed out and the metal surface to be sealed is gently pressed to produce a very excellent sealing effect. The actuation effect of the spring overcomes the slight eccentricity of the metal mating surface and the wear of the sealing lip, while maintaining the expected sealing performance.