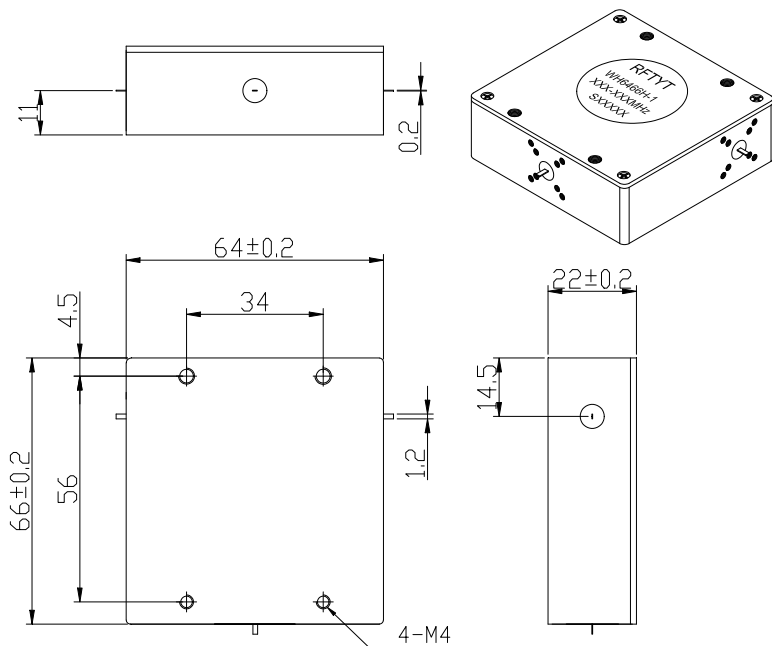


30 to 41MHz Drop in Circulator

WH6466H Strip Line Type

Outline Drawing (mm):



Features:

- ◇ Good temperature stability
- ◇ Withstand high power
- ◇ RoHS compliant
- ◇ Weight : \approx 325 g

Material list:

- ◇ Cavity: aluminum conductive oxidation
- ◇ Outer shell: industrial pure iron nickel plating
- ◇ Inner conductor: silver plated brass

Application:

- ◇ Rf amplifier final stage, protect the amplifier
- ◇ Common transceiver antenna
- ◇ Digital communication
- ◇ Satellite communication
- ◇ Mobile communication
- ◇ Broadcast communication

Order Examples:

WH 6466 H - 1-xx / xxx-xxx MHz

Drop in Circulator

Package Size (W*L)

Cavity structure

Frequency Range

Average Power (<100W Default)

-1 : Clockwise

-2 : Anticlockwise



Basic Specifications:

Impedance	50 Ω
Operating temperature	-20~+70 $^{\circ}\text{C}$
Storage temperature	-40~+90 $^{\circ}\text{C}$
Size(mm)	64.0*66.0*22.0

Specifications:

Model No (X=1: →Clockwise) (X=2: ←Anticlockwise)	Freq. Range MHz	Insertion Loss dB (max)	Isolation dB (min)	VSWR (max)	Power W
WH6466H-X/30.0-31.0MHz	30.0-31.0	2.0	18.0	1.30	50
WH6466H-X/31.0-32.0MHz	31.0-32.0	1.9	18.0	1.30	50
WH6466H-X/32.0-33.0MHz	32.0-33.0	1.8	18.0	1.30	50
WH6466H-X/33.0-34.0MHz	33.0-34.0	1.8	18.0	1.30	50
WH6466H-X/34.0-35.0MHz	34.0-35.0	1.7	18.0	1.30	50
WH6466H-X/35.0-37.0MHz	35.0-37.0	1.6	18.0	1.30	50
WH6466H-X/37.0-39.0MHz	37.0-39.0	1.6	18.0	1.30	50
WH6466H-X/39.0-41.0MHz	39.0-41.0	1.5	20.0	1.25	50

Instructions:

- 1, The circulator only provides through power, indicating that the transmission to the antenna and the antenna to the receiving are through power;
- 2, Only some common frequencies in the table, can be produced according to user requirements;
- 3, Embedded isolator, please use stainless steel or brass screws when installing;
- 4, If you do not find what you are looking for, please contact us!