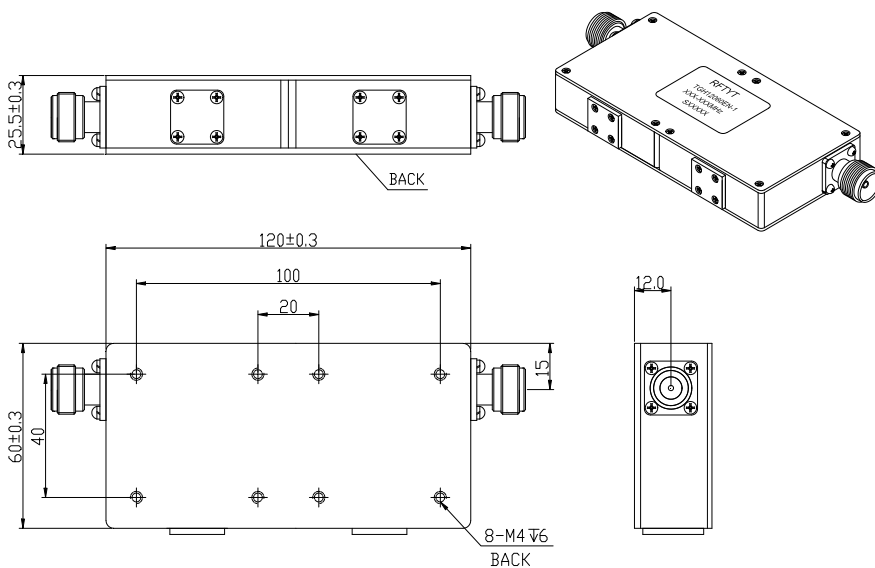


## 80 to 230MHz Dual Junction Isolator

### TG12060EN N Type

#### Outline Drawing (mm):



#### FeatureEN:

- ◇ Good temperature stability
- ◇ Withstand high power
- ◇ RoHS compliant
- ◇ Weight : ≈ 660 g

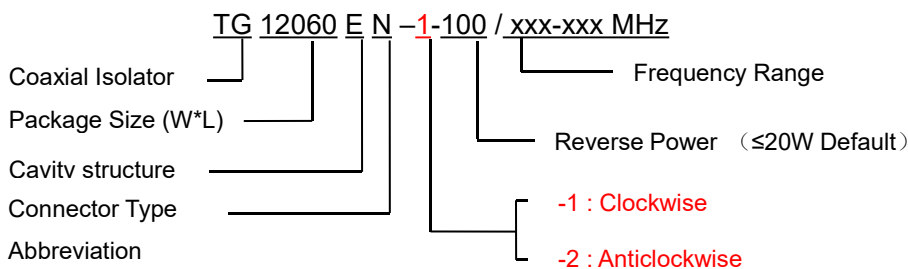
#### Material list:

- ◇ Cavity: aluminum conductive oxidation
- ◇ Outer shell: industrial pure iron nickel plating
- ◇ Guide body: Silver plated brass
- ◇ Load chamber: aluminum conductive oxidation

#### Application:

- ◇ Rf amplifier final stage, protect the amplifier
- ◇ Digital communication
- ◇ Satellite communication
- ◇ Mobile communication

#### Order Example:



#### Connector Type

SMA Type Connector Options			N Type Connector Options		
Port 1	Port 2	Abbreviation	Port 1	Port 2	Abbreviation
SMA-K	SMA-K	S	N-K	N-K	N
SMA-K	SMA-J	SKJ	N-J	N-K	NJK
SMA-J	SMA-K	SJK	N-K	N-J	NKJ
SMA-J	SMA-J	SJ	N-J	N-J	NJ

### Basic Specifications :

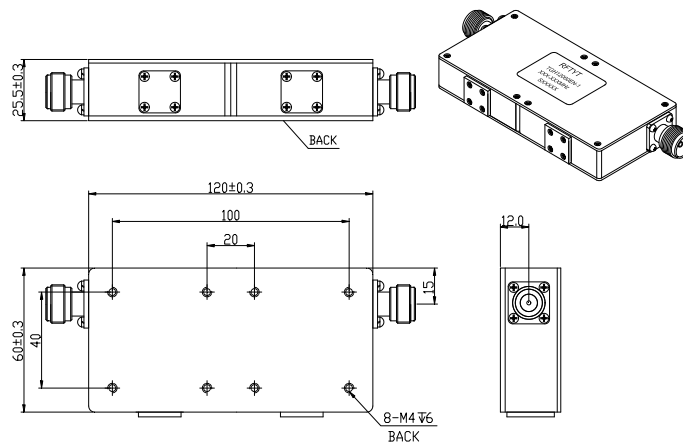
Impedance	50 Ω
Size(mm)	120*60*25.5
Operating Temp	-20~+70℃
Storage temperature	-50~+90℃
ConnectorType	N-K

### Specifications :

Model No. (X=1: →Clockwise) (X=2: ←Anticlockwise)	Freq. Range MHz	IL. dB (max)	Isolation dB (min)	VSWR	Forward Power CW	Reverse Power W
TG12060EN-X/80-120MHz	80-120	2.00	36.0	1.30	50/100	20/100
TG12060EN-X/85-135MHz	85-135	2.20	36.0	1.30	50/100	20/100
TG12060EN-X/87-108MHz	87-108	1.20	40.0	1.25	50/100	20/100
TG12060EN-X/88-138MHz	88-138	2.00	36.0	1.30	50/100	20/100
TG12060EN-X/90-100MHz	90-100	1.00	40.0	1.20	50/100	20/100
TG12060EN-X/98-103MHz	98-103	1.00	40.0	1.20	50/100	20/100
TG12060EN-X/100-130MHz	100-130	1.20	40.0	1.25	50/100	20/100
TG12060EN-X/100-140MHz	100-140	1.60	40.0	1.25	50/100	20/100
TG12060EN-X/100-150MHz	100-150	1.80	36.0	1.30	50/100	20/100
TG12060EN-X/108-112MHz	108-112	1.00	46.0	1.25	50/100	20/100
TG12060EN-X/108-118MHz	108-118	1.00	46.0	1.20	50/100	20/100
TG12060EN-X/108-137MHz	108-137	1.30	40.0	1.25	50/100	20/100
TG12060EN-X/112-132MHz	112-132	1.20	40.0	1.20	50/100	20/100
TG12060EN-X/116-138MHz	116-138	1.20	40.0	1.20	50/100	20/100
TG12060EN-X/118-137MHz	118-137	1.20	40.0	1.20	50/100	20/100
TG12060EN-X/118-161MHz	118-161	1.20	40.0	1.25	50/100	20/100
TG12060EN-X/120-130MHz	120-130	1.00	40.0	1.25	50/100	20/100
TG12060EN-X/130-174MHz	130-174	1.00	40.0	1.25	50/100	20/100
TG12060EN-X/130-180MHz	130-180	1.00	40.0	1.25	50/100	20/100



Model No. (X=1: →Clockwise) (X=2: ←Anticlockwise)	Freq. Range MHz	IL. dB (max)	Isolation dB (min)	VSWR	Forward Power CW	Reverse Power W
TG12060EN-X/130-190MHz	130-190	1.20	36.0	1.25	50/100	20/100
TG12060EN-X/135-155MHz	135-155	1.00	40.0	1.20	50/100	20/100
TG12060EN-X/135-175MHz	135-175	1.20	40.0	1.25	50/100	20/100
TG12060EN-X/135-195MHz	135-195	1.20	36.0	1.30	50/100	20/100
TG12060EN-X/136-174MHz	136-174	0.90	40.0	1.25	50/100	20/100
TG12060EN-X/140-148MHz	140-148	0.80	40.0	1.25	50/100	20/100
TG12060EN-X/148-174MHz	148-174	1.00	40.0	1.15	50/100	20/100
TG12060EN-X/150-170MHz	150-170	0.80	40.0	1.20	50/100	20/100
TG12060EN-X/150-200MHz	150-200	1.00	40.0	1.25	50/100	20/100
TG12060EN-X/150-225MHz	150-225	1.20	36.0	1.30	50/100	20/100
TG12060EN-X/153-157MHz	153-157	0.80	46.0	1.20	50/100	20/100
TG12060EN-X/157-159MHz	157-159	0.80	46.0	1.20	50/100	20/100
TG12060EN-X/160-170MHz	160-170	0.80	46.0	1.20	50/100	20/100
TG12060EN-X/165-175MHz	165-175	0.80	46.0	1.20	50/100	20/100
TG12060EN-X/166-172MHz	166-172	0.80	46.0	1.20	50/100	20/100
TG12060EN-X/170-200MHz	170-200	1.00	40.0	1.25	50/100	20/100
TG12060EN-X/170-230MHz	170-230	1.20	40.0	1.25	50/100	20/100
TG12060EN-X/174-230MHz	174-230	1.20	40.0	1.25	50/100	20/100



### Reverse power 100W type

The reverse power of this figure is 100W, the specifications are shown in the table above, and the model is TG12060EN-X-100/XXX-XXXMHz

#### Instructions:

- 1, The isolator through the power of 50W or 100W;
- 2, Isolator connector can be selected SMA, N type, male and female head can be used with the user;
- 3, The reflection power is often 20W and 100W two options, the same shape;
- 4, Only some common frequencies in the table, can be produced according to user requirements;

If you do not find what you are looking for, please contact us!