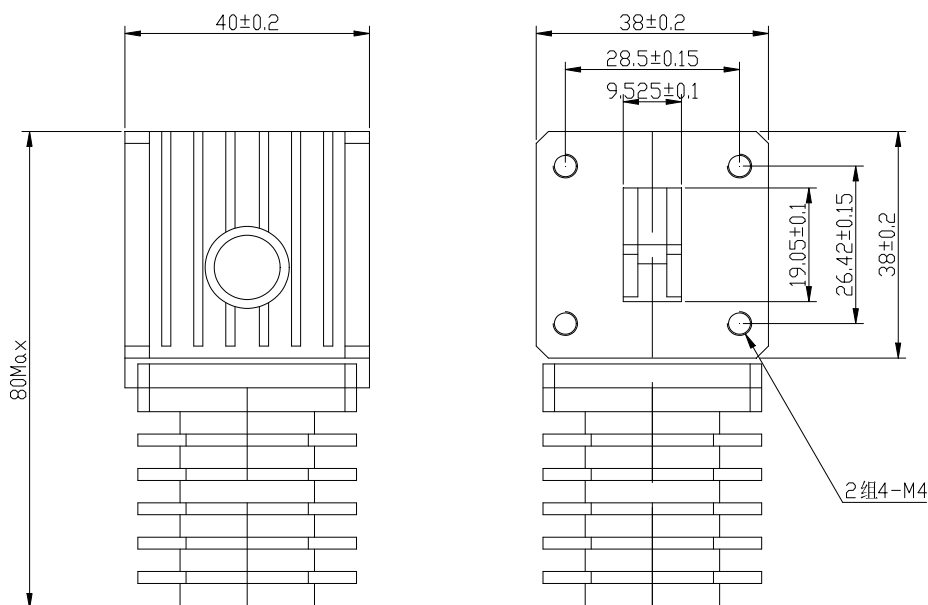


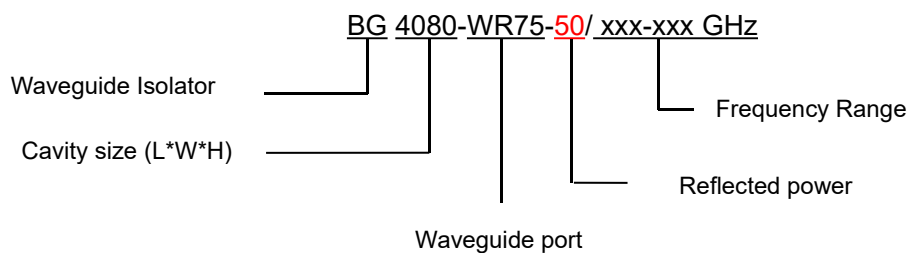
13.7-14.7GHz Waveguide Isolator

BG4080-WR75

Outline Drawing (mm): 



Order Examples:



Basic Specifications:

Impedance	50 Ω
Connector Type	WR62
Size(mm)	80*40*38 (As shown in the figure)
Operating Temp	-40~+80℃

Specifications:

Model No. (X=1: →Clockwise) (X=2: ←Anticlockwise)	Freq. Range GHz	bandwidth	IL. dB (max)	Isolation dB (min)	VSWR (max)
BG4080-WR75/13.7-14.7GHz	13.7-14.7	FULL	0.25	20.0	1.20

Instructions:

1, If you do not have the frequency you want, please contact us!