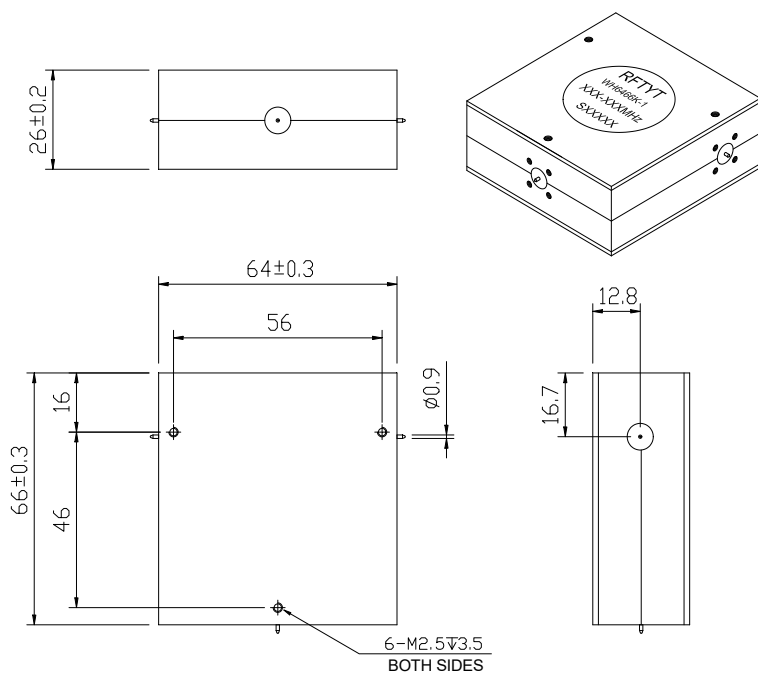


950 to 2000MHz Drop in Circulator

WH6466K Strip Line Type

Outline Drawing (mm):



Features:

- ✧ Good temperature stability
- ✧ Withstand high power
- ✧ RoHS compliant
- ✧ Weight : ≈ 325 g

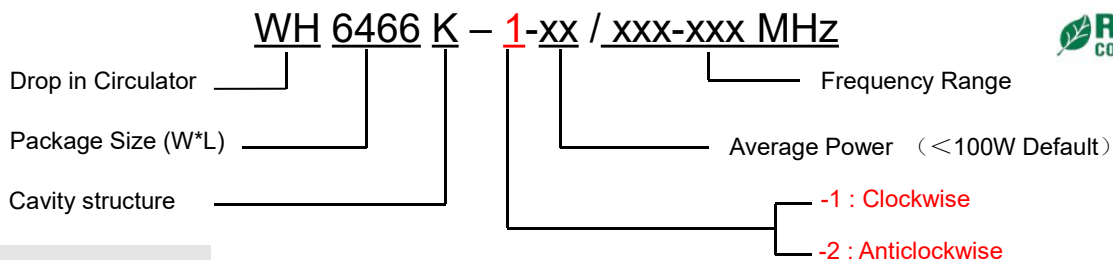
Material list:

- ✧ Cavity: aluminum conductive oxidation
- ✧ Outer shell: industrial pure iron nickel plating
- ✧ Inner conductor: silver plated brass

Application:

- ✧ Rf amplifier final stage, protect the amplifier
- ✧ Common transceiver antenna
- ✧ Digital communication
- ✧ Satellite communication
- ✧ Mobile communication

Order Examples:



Basic Specifications:

Impedance	50 Ω
Operating temperature	-10~+60 °C
Storage temperature	-40~+90 °C
Size(mm)	64.0*66.0*26.0

Specifications:

Model No X=1: →Clockwise) (X=2: ←Anticlockwise)	Freq. Range MHz	Insertion Loss dB (max)	Isolation dB (min)	VSWR (max)	Power W
WH6466K-X/950-2000MHz	950-2000	0.70	16.0	1.40	150
WH6466K-X/1000-2000MHz	1000-2000	0.65	17.0	1.40	150

Instructions:

- 1, The circulator only provides through power, indicating that the transmission to the antenna and the antenna to the receiving are through power;
- 2, Only some common frequencies in the table, can be produced according to user requirements;
- 3, Embedded circulator, please use stainless steel or brass screws when installing;
- 4, If you do not find what you are looking for, please contact us!