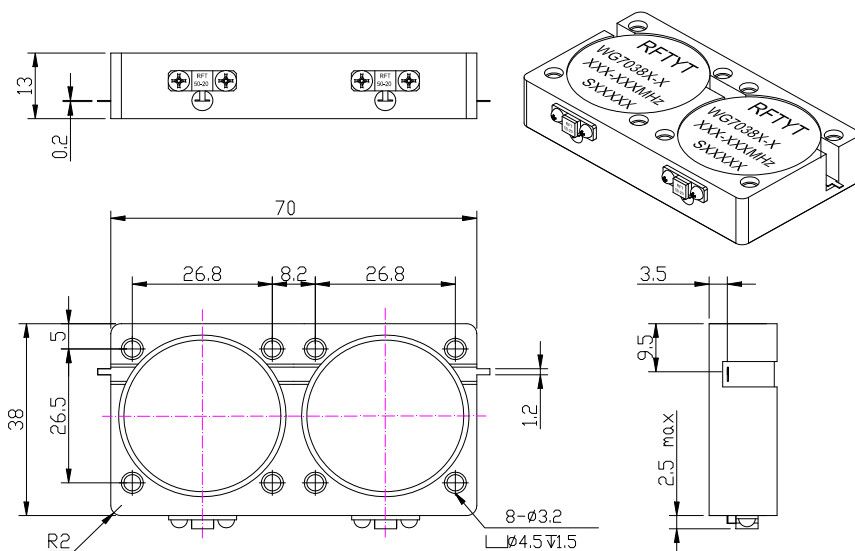
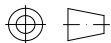


400 to 1850MHz Dual Junction Drop in Isolator

WG7038X Strip Line Type

Outline Drawing (mm):



Features:

- ◇ Good temperature stability
- ◇ Withstand high power
- ◇ RoHS compliant
- ◇ Weight : ≈200 g

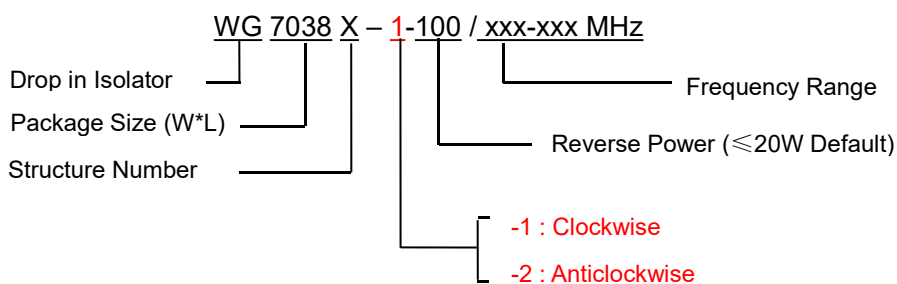
Material list:

- ◇ Chamber: industrial pure iron nickel plating
- ◇ Guide body: Silver plated brass
- ◇ Load chamber: aluminum conductive oxidation

Application:

- ◇ Rf amplifier final stage, protect the amplifier
- ◇ Digital communication
- ◇ Satellite communication
- ◇ Mobile communication

Order Examples:



Basic Specifications:

Impedance	50 Ω
Connection type	Strip Line
Size(mm)	70.0*38.0*13.0
Operating Temp	-30~+70 °C / -40~+85 °C
Storage temperature	-50~+90 °C

Specifications:

Model No. (X=1: →Clockwise) (X=2: ←Anticlockwise)	Freq. Range MHz	IL. dB (max)	Isolation dB (min)	VSWR	Forward Power CW	Reverse Power W
WG7038X-X/400-410MHz	400-410	0.6	46	1.20	100	20
WG7038X-X/400-440MHz	400-440	0.8	40	1.25	100	20
WG7038X-X/400-450MHz	400-450	0.8	40	1.25	100	20
WG7038X-X/400-470MHz	400-470	0.8	40	1.25	100	20
WG7038X-X/400-500MHz	400-500	1	38	1.25	100	20
WG7038X-X/410-460MHz	410-460	0.8	40	1.25	100	20
WG7038X-X/413-419MHz	413-419	0.6	50	1.15	100	20
WG7038X-X/419-425MHz	419-425	0.6	50	1.15	100	20
WG7038X-X/420-450MHz	420-450	0.8	40	1.25	100	20
WG7038X-X/420-480MHz	420-480	0.8	40	1.25	100	20
WG7038X-X/425-475MHz	425-475	0.8	40	1.25	100	20
WG7038X-X/429-439MHz	429-439	0.6	50	1.15	100	20
WG7038X-X/430-440MHz	430-440	0.6	46	1.20	100	20
WG7038X-X/430-460MHz	430-460	0.8	40	1.25	100	20
WG7038X-X/430-470MHz	430-470	0.8	40	1.25	100	20
WG7038X-X/433-457MHz	433-457	0.6	46	1.20	100	20
WG7038X-X/435-437MHz	435-437	0.6	46	1.20	100	20
WG7038X-X/440-470MHz	440-470	0.6	46	1.20	100	20
WG7038X-X/447-499MHz	447-499	0.6	46	1.20	100	20
WG7038X-X/450-456MHz	450-456	0.6	50	1.15	100	20
WG7038X-X/450-500MHz	450-500	0.8	40	1.25	100	20
WG7038X-X/450-520MHz	450-520	0.8	40	1.25	100	20
WG7038X-X/450-550MHz	450-550	0.8	40	1.25	100	20
WG7038X-X/455-465MHz	455-465	0.6	50	1.15	100	20
WG7038X-X/459-486MHz	459-486	0.6	46	1.20	100	20



Model No. (X=1: →Clockwise) (X=2: ←Anticlockwise)	Freq. Range MHz	IL. dB (max)	Isolation dB (min)	VSWR	Forward Power CW	Reverse Power W
WG7038X-X/470-490MHz	470-490	0.6	40	1.20	100	20
WG7038X-X/470-530MHz	470-530	0.8	40	1.20	100	20
WG7038X-X/470-570MHz	470-570	0.8	40	1.25	100	20
WG7038X-X/470-610MHz	470-610	1.0	36	1.30	100	20
WG7038X-X/475-525MHz	475-525	0.6	46	1.20	100	20
WG7038X-X/495-516MHz	495-516	0.6	46	1.20	100	20
WG7038X-X/500-600MHz	500-600	0.8	40	1.20	100	20
WG7038X-X/500-700MHz	500-700	1.4	35	1.35	100	20
WG7038X-X/570-670MHz	570-670	0.6	46	1.20	100	20
WG7038X-X/580-720MHz	580-720	0.9	40	1.25	100	20
WG7038X-X/600-700MHz	600-700	0.8	40	1.25	100	20
WG7038X-X/670-770MHz	670-770	0.6	46	1.20	100	20
WG7038X-X/690-860MHz	690-860	0.8	40	1.20	100	20
WG7038X-X/700-862MHz	700-862	0.8	40	1.25	100	20
WG7038X-X/700-900MHz	700-900	1.0	36	1.30	100	20
WG7038X-X/703-862MHz	703-862	0.8	40	1.25	100	20
WG7038X-X/770-860MHz	770-860	0.6	46	1.20	100	20
WG7038X-X/600-800MHz	600-800	1.0	36	1.30	100	20
WG7038X-X/700-1000MHz	700-1000	1.2	32	1.40	100	20
WG7038X-X/750-950MHz	750-950	0.8	40	1.25	100	20
WG7038X-X/800-1000MHz	800-1000	0.8	40	1.25	100	20
WG7038X-X/854-921MHz	854-921	0.6	40	1.20	100	20
WG7038X-X/860-872MHz	860-872	0.5	50	1.15	100	20
WG7038X-X/862-960MHz	862-960	0.6	50	1.20	100	20
WG7038X-X/900-930MHz	900-930	0.5	50	1.15	100	20
WG7038X-X/900-1000MHz	900-1000	0.6	46	1.20	100	20
WG7038X-X/900-1100MHz	900-1100	0.8	40	1.25	100	20

Model No. (X=1: →Clockwise) (X=2: ←Anticlockwise)	Freq. Range MHz	IL. dB (max)	Isolation dB (min)	VSWR	Forward Power CW	Reverse Power W
WG7038X-X/950-1000MHz	950-1000	0.6	46	1.20	100	20
WG7038X-X/950-1250MHz	950-1250	0.9	40	1.25	100	20
WG7038X-X/950-1280MHz	950-1280	1.0	40	1.25	100	20
WG7038X-X/950-1450MHz	950-1450	1.2	34	1.35	100	20
WG7038X-X/955-1220MHz	955-1220	0.8	40	1.25	100	20
WG7038X-X/960-1160MHz	960-1160	0.8	40	1.25	100	20
WG7038X-X/960-1215MHz	960-1215	0.8	40	1.25	100	20
WG7038X-X/960-1260MHz	960-1260	0.9	40	1.25	100	20
WG7038X-X/1000-1100MHz	1000-1100	0.6	50	1.15	100	20
WG7038X-X/1000-1500MHz	1000-1500	1.2	34	1.35	100	20
WG7038X-X/1015-1045MHz	1015-1045	0.5	46	1.15	100	20
WG7038X-X/1020-1040MHz	1020-1040	0.5	50	1.15	100	20
WG7038X-X/1020-1100MHz	1020-1100	0.5	40	1.20	100	20
WG7038X-X/1022-1540MHz	1022-1540	1.2	34	1.35	100	20
WG7038X-X/1030-1039MHz	1030-1039	0.4	50	1.15	100	20
WG7038X-X/1030-1090MHz	1030-1090	0.5	46	1.20	100	20
WG7038X-X/1100-1600MHz	1100-1600	1.0	34	1.35	100	20
WG7038X-X/1100-1650MHz	1100-1650	1.2	34	1.35	100	20
WG7038X-X/1100-1699MHz	1100-1699	1.2	32	1.40	100	20
WG7038X-X/1160-1610MHz	1160-1610	1.0	36	1.30	100	20
WG7038X-X/1200-1400MHz	1200-1400	0.6	40	1.25	100	20
WG7038X-X/1200-1500MHz	1200-1500	0.8	40	1.25	100	20
WG7038X-X/1285-1315MHz	1285-1315	0.4	46	1.20	100	20
WG7038X-X/1290-1310MHz	1290-1310	0.4	50	1.15	100	20
WG7038X-X/1300-1700MHz	1300-1700	0.8	40	1.20	100	20
WG7038X-X/1350-1850MHz	1350-1850	1.0	38	1.25	100	20

Instructions:

- 1, The isolator reflected power is only 20W;
- 2, Only some common frequencies in the table, can be produced according to user requirements;
- 3, Embedded isolator, please use stainless steel or brass screws when installing;
- 4, If you do not find the frequency you want, please contact us!