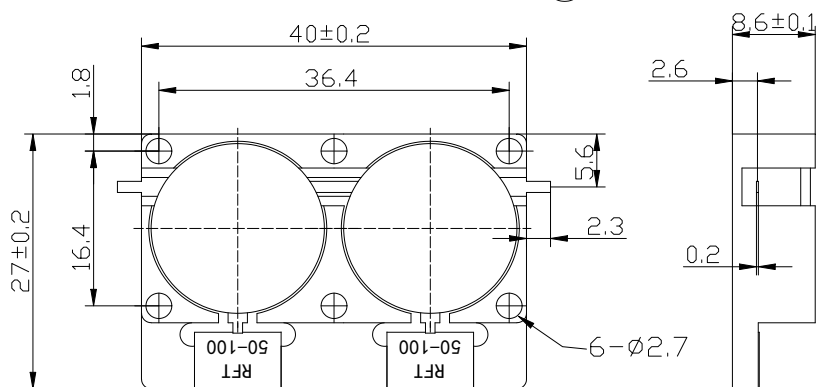
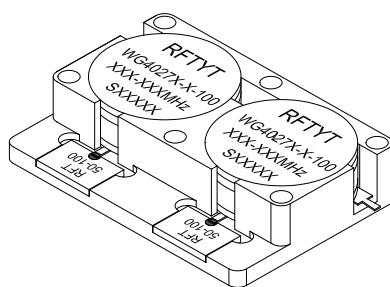


700 to 4000MHz Dual Junction Drop in Isolator

WG4027X Strip Line Type

Outline Drawing (mm):



Features:

- ◇ Good temperature stability
- ◇ Withstand high power
- ◇ RoHS compliant
- ◇ Weight : ≈ 42 g

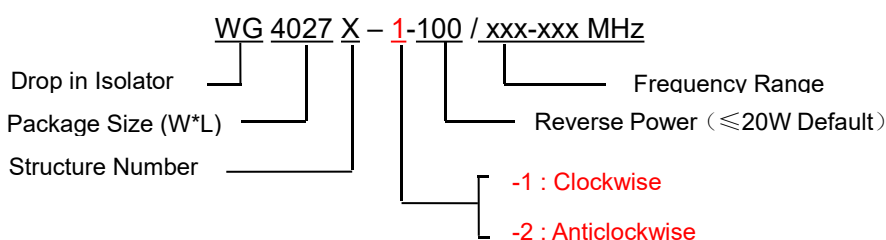
Material list:

- ◇ Shell: easy to cut iron plated nickel
- ◇ Guide body: Silver plated brass
- ◇ Load chamber: aluminum conductive oxidation

Application:

- ◇ Rf amplifier final stage, protect the amplifier
- ◇ Digital communication
- ◇ Satellite communication
- ◇ Mobile communication

Order Examples:



Basic Specifications:

Impedance	50 Ω
Connection type	Strip line
Size(mm)	40.0*27.5*8.6
Operating Temp	-30~+70 $^{\circ}$ C/-40~+85 $^{\circ}$ C
Storage temperature	-50~+90 $^{\circ}$ C



Specifications:

Model No. (X=1: →Clockwise) (X=2: ←Anticlockwise)	Freq. Range MHz	IL. dB (max)	Isolation dB (min)	VSWR	Forward Power CW	Reverse Power W
WG4027X-X-100/700-750MHz	700-750	0.8	40	1.25	100	100
WG4027X-X-100/750-800MHz	750-800	0.8	40	1.25	100	100
WG4027X-X-100/800-850MHz	800-850	0.8	40	1.25	100	100
WG4027X-X-100/850-855MHz	850-855	0.6	46	1.20	100	100
WG4027X-X-100/900-920MHz	900-920	0.6	46	1.20	100	100
WG4027X-X-100/925-960MHz	925-960	0.7	46	1.20	100	100
WG4027X-X-100/1000-1200MHz	1000-1200	1.0	36	1.3	100	100
WG4027X-X-100/1030-1090MHz	1030-1090	0.7	40	1.20	100	100
WG4027X-X-100/1070-1210MHz	1070-1210	1.0	36	1.30	100	100
WG4027X-X-100/1100-1300MHz	1100-1300	1.0	36	1.30	100	100
WG4027X-X-100/1200-1400MHz	1200-1400	1.0	38	1.25	100	100
WG4027X-X-100/1250-1450MHz	1250-1450	0.8	40	1.25	100	100
WG4027X-X-100/1325-1375MHz	1325-1375	0.6	46	1.20	100	100
WG4027X-X-100/1450-1550MHz	1450-1550	0.6	46	1.20	100	100
WG4027X-X-100/1500-1700MHz	1500-1700	0.8	40	1.25	100	100
WG4027X-X-100/1550-1650MHz	1550-1650	0.6	46	1.20	100	100
WG4027X-X-100/1620-1660MHz	1620-1660	0.6	46	1.20	100	100
WG4027X-X-100/1700-1900MHz	1700-1900	0.8	40	1.25	100	100
WG4027X-X-100/1700-2000MHz	1700-2000	0.8	38	1.25	100	100
WG4027X-X-100/1710-1785MHz	1710-1785	0.6	46	1.20	100	100
WG4027X-X-100/1710-2170MHz	1710-2170	1.0	36	1.30	100	100
WG4027X-X-100/1800-2400MHz	1800-2400	1.2	36	1.30	100	100
WG4027X-X-100/1805-1880MHz	1805-1880	0.6	46	1.20	100	100
WG4027X-X-100/1805-2117MHz	1805-2117	0.8	40	1.25	100	100
WG4027X-X-100/1920-1990MHz	1920-1990	0.6	46	1.20	100	100



Model No. (X=1: →Clockwise) (X=2: ←Anticlockwise)	Freq. Range MHz	IL. dB (max)	Isolation dB (min)	VSWR	Forward Power CW	Reverse Power W
WG4027X-X-100/2000-2200MHz	2000-2200	0.8	40	1.20	100	100
WG4027X-X-100/2000-2400MHz	2000-2400	1.0	36	1.3	100	100
WG4027X-X-100/2100-2700MHz	2100-2700	1.0	36	1.35	100	100
WG4027X-X-100/2110-2170MHz	2110-2170	0.6	46	1.20	100	100
WG4027X-X-100/2135-2365MHz	2135-2365	0.8	40	1.25	100	100
WG4027X-X-100/2200-2300MHz	2200-2300	0.6	46	1.20	100	100
WG4027X-X-100/2200-2400MHz	2200-2400	0.8	40	1.20	100	100
WG4027X-X-100/2200-2500MHz	2200-2500	0.8	40	1.25	100	100
WG4027X-X-100/2300-2400MHz	2300-2400	0.6	46	1.20	100	100
WG4027X-X-100/2300-2500MHz	2300-2500	0.8	40	1.20	100	100
WG4027X-X-100/2300-2700MHz	2300-2700	0.8	40	1.20	100	100
WG4027X-X-100/2400-2600MHz	2400-2600	0.8	40	1.20	100	100
WG4027X-X-100/2496-2690MHz	2496-2690	0.8	40	1.20	100	100
WG4027X-X-100/2500-2700MHz	2500-2700	0.8	40	1.20	100	100
WG4027X-X-100/2600-2690MHz	2600-2690	0.6	46	1.20	100	100
WG4027X-X-100/2700-2900MHz	2700-2900	0.6	40	1.20	100	100
WG4027X-X-100/2700-3100MHz	2700-3100	0.8	40	1.25	100	100
WG4027X-X-100/2700-3500MHz	2700-3500	1.0	36	1.30	100	100
WG4027X-X-100/2900-3300MHz	2900-3300	0.8	40	1.20	100	100
WG4027X-X-100/2900-3500MHz	2900-3500	0.8	40	1.25	100	100
WG4027X-X-100/3100-3500MHz	3100-3500	0.8	40	1.25	100	100
WG4027X-X-100/3150-3250MHz	3150-3250	0.6	46	1.20	100	100
WG4027X-X-100/3300-3600MHz	3300-3600	0.6	40	1.20	100	100
WG4027X-X-100/3300-3800MHz	3300-3800	0.8	40	1.25	100	100
WG4027X-X-100/3400-3900MHz	3400-3900	0.8	40	1.25	100	100
WG4027X-X-100/3400-4200MHz	3400-4200	0.9	38	1.25	100	100
WG4027X-X-100/3400-4300MHz	3400-4300	1.0	36	1.30	100	100



Model No. (X=1: →Clockwise) (X=2: ←Anticlockwise)	Freq. Range MHz	IL. dB (max)	Isolation dB (min)	VSWR	Forward Power CW	Reverse Power W
WG4027X-X-100/3550-3700MHz	3550-3700	0.6	46	1.20	100	100
WG4027X-X-100/3600-3800MHz	3600-3800	0.6	46	1.20	100	100
WG4027X-X-100/3900-4000MHz	3900-4000	0.6	46	1.20	100	100

Instructions:

- 1, The isolator reflected power is only 100W;
- 2, Only some common frequencies in the table, can be produced according to user requirements;
- 3, Embedded isolator, please use stainless steel or brass screws when installing;
- 4, If you do not find the frequency you want, please contact us!