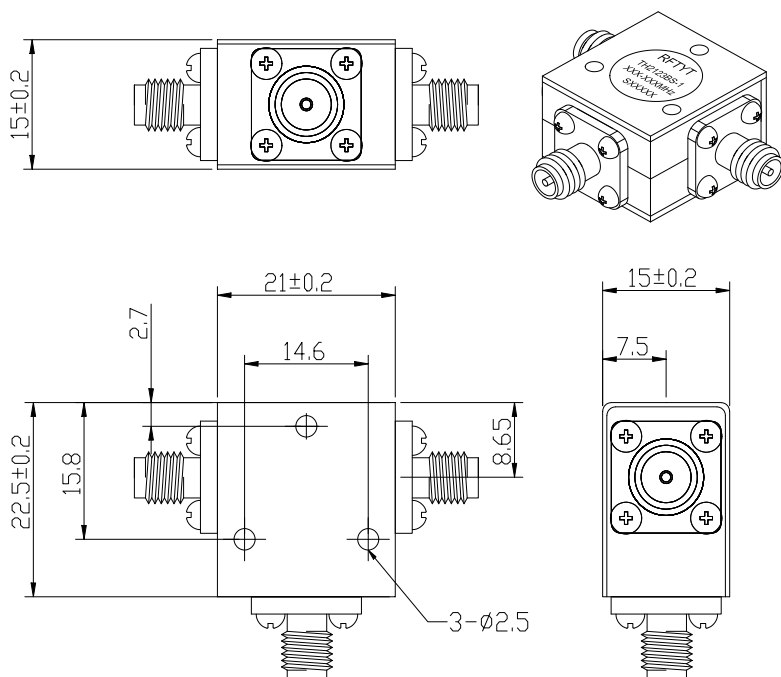
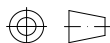


4.0 to 8.0GHz Coaxial Circulator

TH2123BS SMA Type

Outline Drawing (mm):



Features:

- ◇ Good temperature stability
- ◇ Withstand high power
- ◇ RoHS compliant
- ◇ Weight : \approx 60 g

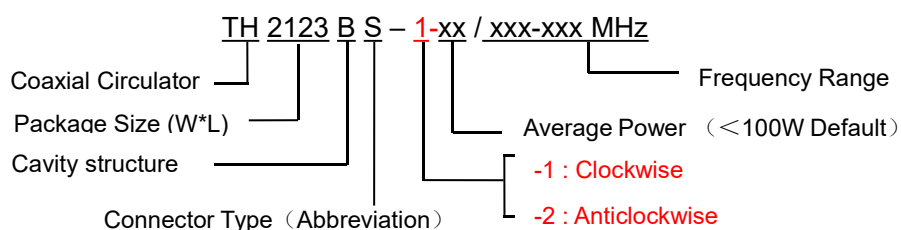
Material list:

- ◇ Cavity: aluminum conductive oxidation
- ◇ Outer shell: industrial pure iron nickel plating
- ◇ Guide body: Silver plated brass
- ◇ Connector housing: gold plated brass

Application:

- ◇ RF amplifier final stage, protect the amplifier
- ◇ Transmit and receive common antenna
- ◇ Digital communications, satellite communications

Order Examples:



Connector Type:



SMA Type Connector Options				N Type Connector Options			
Port 1	Port 2	Port 3	Abbreviation	Port 1	Port 2	Port 3	Abbreviation
K	K	K	S	K	K	K	N
K	J	J	SKJJ	K	J	J	NKJJ
J	K	J	SJKJ	J	K	J	NJKJ
K	K	J	SKKJ	K	K	J	NKKJ
J	J	J	SJ	J	J	J	NJ

Basic Specifications :

Impedance	50 Ω
Connector Type	SMA-K
Size(mm)	21.0*22.5*15.0
Operating Temp	-10~+60℃
Storage temperature	-30~+70 ℃

Specifications :

Model No. (X=1: →Clockwise) (X=2: ←Anticlockwise)	Freq. Range GHz	IL. dB (max)	Isolation dB (min)	VSWR (max)	POWER W
TH2123BS-X/4.0-7.0GHz	4.0-7.0	18.0	1.30	1.30	100
TH2123BS-X/4.0-7.2GHz	4.0-7.2	18.0	1.30	1.30	100
TH2123BS-X/4.0-8.0GHz	4.0-8.0	18.0	1.30	1.30	100
TH2123BS-X/5.0-7.0GHz	5.0-7.0	19.0	1.25	1.25	100
TH2123BS-X/5.6-7.0GHz	5.6-7.0	19.0	1.25	1.25	100
TH2123BS-X/5.8-6.7GHz	5.8-6.7	19.0	1.25	1.25	100
TH2123BS-X/6.0-8.0GHz	6.0-8.0	19.0	1.25	1.25	100

Instructions :

- 1, The circulator connector can be selected SMA, N male and female head can be used with the user;
- 2, The circulator only provides through power, indicating that the transmission to the antenna and the antenna to the receiving are through power;
- 3, Only some common frequencies in the table, can be produced according to the user's requirements;
- 4, If you do not find what you are looking for, please contact us!