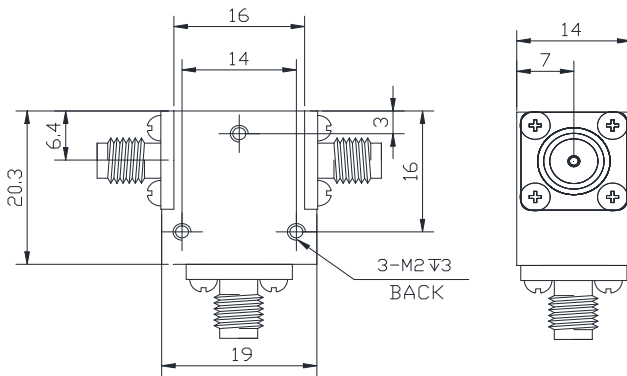
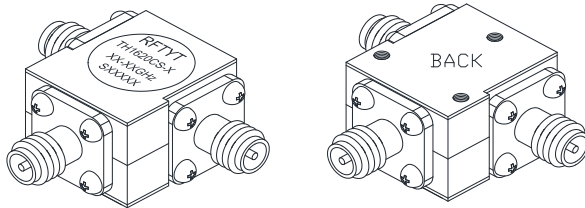
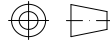


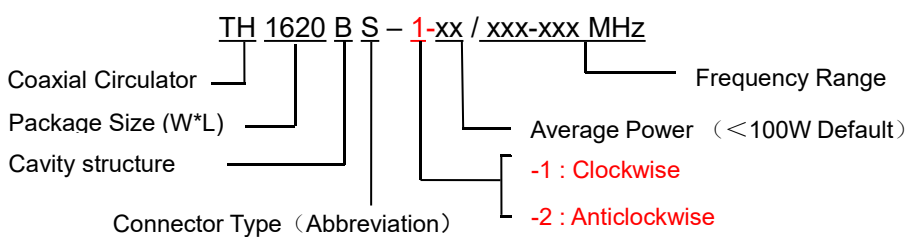
6.0 to 18GHz Coaxial Circulator

TH1620BS SMA Type

Outline Drawing (mm):



Order Examples:



Features:

- ◇ Good temperature stability
- ◇ Withstand high power
- ◇ RoHS compliant
- ◇ Weight : \approx 43.5 g

Material list:

- ◇ Cavity: aluminum conductive oxidation
- ◇ Outer shell: industrial pure iron nickel plating
- ◇ Guide body: Silver plated brass
- ◇ Connector housing: gold plated brass

Application:

- ◇ Rf amplifier final stage, protect the amplifier
- ◇ Common transceiver antenna
- ◇ Digital communication
- ◇ Satellite communication



Connector Type:

SMA Type Connector Options				N Type Connector Options			
Port 1	Port 2	Port 3	Abbreviation	Port 1	Port 2	Port 3	Abbreviation
K	K	K	S	K	K	K	N
K	J	J	SKJJ	K	J	J	NKJJ
J	K	J	SJKJ	J	K	J	NJKJ
K	K	J	SKKJ	K	K	J	NKKJ
J	J	J	SJ	J	J	J	NJ

Basic Specifications :

Impedance	50 Ω
Forward Power	30W
Connector Type	SMA-K
Size(mm)	16.0*20.3*14.0
Operating Temp	-10+60℃
Storage temperature	-30~+70 ℃

Specifications :

Model No. (X=1: →Clockwise) (X=2: ←Anticlockwise)	Freq. Range GHz	IL. dB (max)	Isolation dB (min)	VSWR (max)	POWER W
TH1620BS-X/6.0-18.0GHz	6.0-18.0	1.50	10.0	1.90	30
TH1620BS-X/8.0-18.0GHz	8.0-18.0	1.40	12.0	1.60	30
TH1620BS-X/12.0-18.0GHz	12.0-18.0	0.80	17.0	1.40	30
TH1620BS-X/14.5-16.5GHz	14.5-16.5	0.50	18.0	1.30	30
TH1620BS-X/15.0-18.0GHz	15.0-18.0	0.60	18.0	1.30	30
TH1620BS-X/16.0-18.0GHz	16.0-18.0	0.60	18.0	1.30	30

Instructions :

- 1, The circulator connector can be selected SMA, N male and female head can be used with the user;
- 2, The circulator only provides through power, indicating that the transmission to the antenna and the antenna to the receiving are through power;
- 3, Only some common frequencies in the table, can be produced according to the user's requirements;
- 4, If you do not find what you are looking for, please contact us!