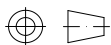


300 to 1250MHz Dual Junction Drop in Circulator

WHH9050X Strip line Type

Outline Drawing (mm) :



Features:

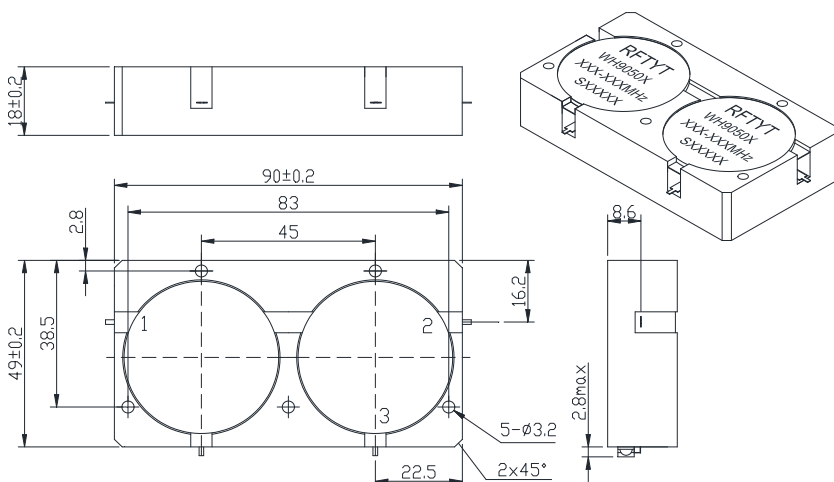
- ◇ Good temperature stability
- ◇ Withstand high power
- ◇ RoHS compliant
- ◇ Weight : ≈ g

Material list:

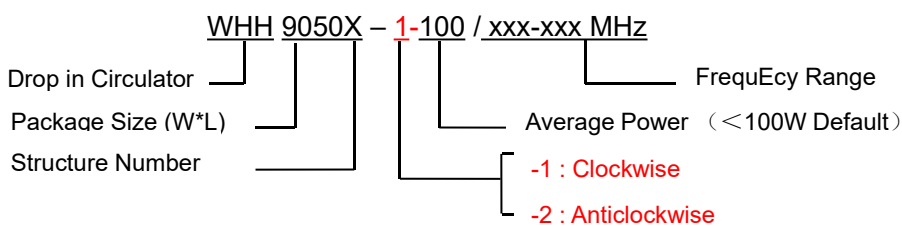
- ◇ Shell: Steel
- Coating: Bright Nickel
- ◇ Inner conductor: Brass
- Coating: Silver

Application:

- ◇ Protect WHe power amplifier and
Installed at WHe Ed of RF power amplifier
- ◇ Transceiver common antEna
- ◇ Medical,Communication,Security
VHF



Order Examples :



Connector Type:

S Type Connector Options					N Type Connector Options				
Port 1	Port 2	Port 3	Port 4	Abbreviation	Port 1	Port 2	Port 3	Port 4	Abbreviation
Female	Female	Female	Female	S	Female	Female	Female	Female	N
Female	Male	Male	Male	SKJJJ	Female	Male	Male		NKJJ
Male	Female	Female	Female	SJKKK	Male	Female	Male		NJKJ
Female	Female	Male	Male	SKKJJ	Female	Female	Male		NKKJ
Male	Male	Male	Male	SJ	Male	Male	Male		NJ

Basic Specifications :

Impedance	50 Ω
Connector Type	Strip line
Size(mm)	90.0*49.0*18.0
Operating Temp	-30~+70℃/-40~+85℃
Storage temperature	-50~+90 ℃

Specifications :

Model No. (x=1: →Clockwise) (x=2: ←Anticlockwise)	Freq. Range MHz	IL dB (max)	Isolation dB (min)	VSWR (max)	Forward Power W
WHH9050X-X/300-350MHz	300-350	1.0	40	1.25	300
WHH9050X-X/300-400MHz	300-400	1.2	36	1.30	300
WHH9050X-X/300-420MHz	300-420	1.6	32	1.40	300
WHH9050X-X/320-412MHz	320-412	1.6	36	1.40	300
WHH9050X-X/345-415MHz	345-415	1.2	40	1.25	300
WHH9050X-X/350-400MHz	350-400	0.7	40	1.20	300
WHH9050X-X/350-470MHz	350-470	1.0	38	1.25	300
WHH9050X-X/350-500MHz	350-500	1.4	32	1.40	300
WHH9050X-X/360-440MHz	360-440	0.9	40	1.25	300
WHH9050X-X/360-470MHz	360-470	1.0	40	1.25	300
WHH9050X-X/375-415MHz	375-415	0.8	40	1.25	300
WHH9050X-X/380-480MHz	380-480	1	36	1.30	300
WHH9050X-X/400-430MHz	400-430	0.5	50	1.15	300
WHH9050X-X/400-500MHz	400-500	1.0	36	1.30	300
WHH9050X-X/400-512MHz	400-512	1.0	36	1.30	300
WHH9050X-X/400-550MHz	400-550	1.2	36	1.30	300
WHH9050X-X/412-512MHz	412-512	1.0	36	1.30	300
WHH9050X-X/440-470MHz	440-470	0.5	50	1.15	300
WHH9050X-X/450-600MHz	450-600	1.0	36	1.30	300
WHH9050X-X/460-605MHz	460-605	1.0	36	1.30	300



WHH9050X-X/470-520MHz	470-520	0.8	40	1.25	300
WHH9050X-X/470-610MHz	470-610	1.0	36	1.30	300
WHH9050X-X/470-650MHz	470-650	1.2	36	1.30	300
WHH9050X-X/500-700MHz	500-700	1.2	36	1.30	300
WHH9050X-X/520-570MHz	520-570	0.6	46	1.20	300
WHH9050X-X/570-610MHz	570-610	0.6	46	1.20	300
WHH9050X-X/600-900MHz	600-900	1.6	30	1.50	300
WHH9050X-X/610-960MHz	610-960	1.6	30	1.50	300
WHH9050X-X/620-862MHz	620-862	1.0	40	1.25	300
WHH9050X-X/690-1000MHz	690-1000	1.2	36	1.30	300
WHH9050X-X/698-960MHz	698-960	1.0	40	1.25	300
WHH9050X-X/698-1000MHz	698-1000	1.2	36	1.30	300
WHH9050X-X/700-1000MHz	700-1000	1.2	38	1.25	300
WHH9050X-X/760-1010MHz	760-1010	1.0	40	1.25	300
WHH9050X-X/800-900MHz	800-900	0.6	46	1.20	300
WHH9050X-X/800-1000MHz	800-1000	1.0	40	1.25	300
WHH9050X-X/800-1200MHz	800-1200	1.2	32	1.40	300
WHH9050X-X/806-960MHz	806-960	0.6	46	1.20	300
WHH9050X-X/850-1000MHz	850-1000	0.8	40	1.25	300
WHH9050X-X/850-1150MHz	850-1150	1.0	40	1.25	300
WHH9050X-X/1010-1110MHz	1010-1110	0.6	40	1.20	300
WHH9050X-X/1200-1300MHz	1200-1300	0.6	46	1.20	300

**If the frequency range you need is not covered in the form.
Please contact us for details.**