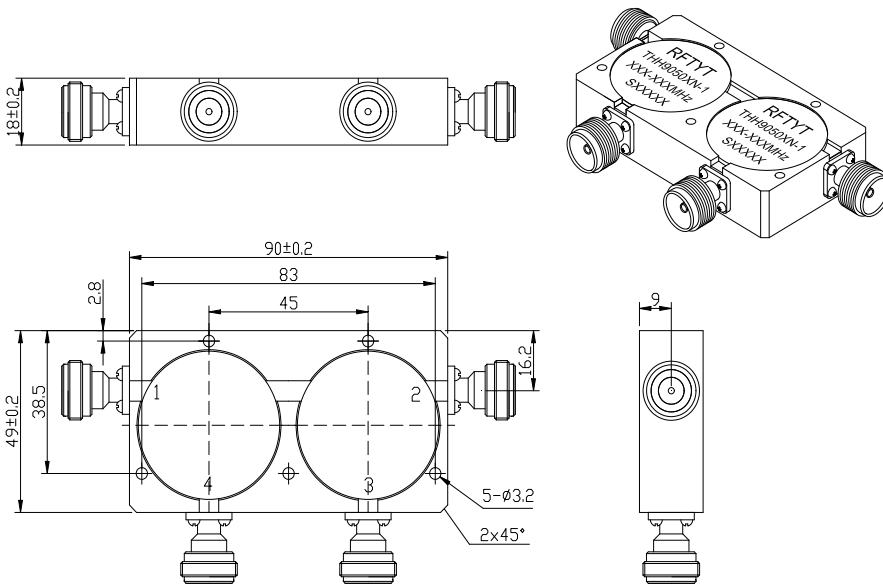
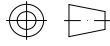


300 to 1250MHz Dual Junction Coaxial Circulator

THH9050XN N Type

Outline Drawing (mm):



Features:

- ◇ Good temperature stability
- ◇ Withstand high power
- ◇ RoHS compliant
- ◇ Weight : ≈ g

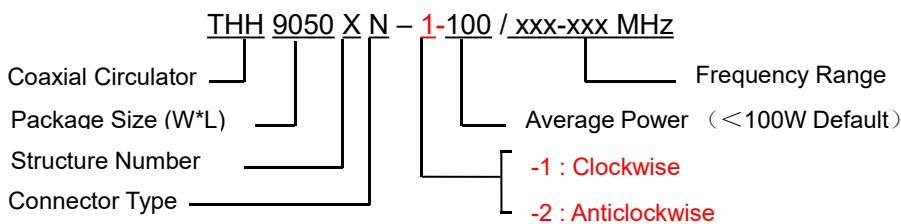
Material list:

- ◇ Shell: Steel
- Coating: Bright Nickel
- ◇ Inner conductor: Brass
- Coating: Silver

Application:

- ◇ Protect the power amplifier and
Installed at the end of RF power amplifier
- ◇ Transceiver common antenna
- ◇ GSM1800/CDMA/TD-SCDMA/WCD
MA/EGSM/Wimax/TD-LTE/AMPS/S
MR 5G and other communication
systems

Order Examples:



Connector Type:

SMA Type Connector Options					N Type Connector Options				
Port 1	Port 2	Port 3	Port 4	Abbreviation	Port 1	Port 2	Port 3	Port 4	Abbreviation
SMA-F	SMA-F	SMA-F	SMA-F	S	N-F	N-F	N-F	N-F	N
SMA-F	SMA-M	SMA-M	SMA-M	SKJJJ	N-F	N-M	N-M	N-M	NKJJJ
SMA-M	SMA-F	SMA-F	SMA-F	SJKKK	N-M	N-F	N-F	N-F	NJKKK
SMA-F	SMA-F	SMA-M	SMA-M	SKKJJ	N-F	N-F	N-M	N-M	NKKJJ
SMA-M	SMA-M	SMA-M	SMA-M	SJ	N-M	N-M	N-M	N-M	NJ

Basic Specifications :

Impedance	50 Ω
Connector Type	N-F
Size(mm)	90.0*49.0*18.0
Operating Temp	-30~+70℃/-40~+85℃
Storage temperature	-50~+90 ℃

Specifications :

Model No. (X=1: →Clockwise) (X=2: ←Anticlockwise)	Freq. Range MHz	IL. dB (max)	Isolation dB (min)	VSWR (max)	Forward Power W
THH9050XN-X/300-420MHz	300-420	1.7	30.0	1.40	100
THH9050XN-X/320-412MHz	320-412	1.6	35.0	1.40	100
THH9050XN-X/345-415MHz	345-415	1.2	40.0	1.25	100
THH9050XN-X/350-400MHz	350-400	0.8	40.0	1.25	100
THH9050XN-X/350-470MHz	350-470	1.1	36.0	1.25	100
THH9050XN-X/350-500MHz	350-500	1.6	30.0	1.40	100
THH9050XN-X/360-440MHz	360-440	1.0	40.0	1.25	100
THH9050XN-X/360-470MHz	360-470	1.0	40.0	1.25	100
THH9050XN-X/375-415MHz	375-415	0.8	40.0	1.25	100
THH9050XN-X/380-480MHz	380-480	1.0	35.0	1.30	100
THH9050XN-X/400-430MHz	400-430	0.6	40.0	1.15	100
THH9050XN-X/400-500MHz	400-500	1.0	35.0	1.30	100
THH9050XN-X/400-512MHz	400-512	1.1	35.0	1.30	100
THH9050XN-X/400-550MHz	400-550	1.3	35.0	1.30	100
THH9050XN-X/412-512MHz	412-512	1.0	35.0	1.30	100
THH9050XN-X/440-470MHz	440-470	0.6	45.0	1.15	100
THH9050XN-X/450-600MHz	450-600	1.0	35.0	1.30	100
THH9050XN-X/460-605MHz	460-605	1.0	35.0	1.30	100
THH9050XN-X/470-520MHz	470-520	0.8	40	1.25	100
THH9050XN-X/470-610MHz	470-610	1.0	35.0	1.30	100
THH9050XN-X/470-650MHz	470-650	1.3	35.0	1.30	100
THH9050XN-X/500-700MHz	500-700	1.2	35.0	1.30	100



Model No. (X=1: →Clockwise) (X=2: ←Anticlockwise)	Freq. Range MHz	IL. dB (max)	Isolation dB (min)	VSWR (max)	Forward Power W
THH9050XN-X/520-570MHz	520-570	1.2	40.0	1.20	100
THH9050XN-X/570-610MHz	570-610	0.6	40.0	1.20	100
THH9050XN-X/600-900MHz	600-900	1.6	30	1.50	100
THH9050XN-X/610-960MHz	610-960	1.7	30.0	1.50	100
THH9050XN-X/620-862MHz	620-862	1.0	40.0	1.25	100
THH9050XN-X/690-1000MHz	690-1000	1.2	35.0	1.30	100
THH9050XN-X/698-960MHz	698-960	1.0	40.0	1.25	100
THH9050XN-X/698-1000MHz	698-1000	1.2	35.0	1.30	100
THH9050XN-X/700-1000MHz	700-1000	1.2	36.0	1.25	100
THH9050XN-X/760-1010MHz	760-1010	1.0	40.0	1.25	100
THH9050XN-X/800-900MHz	800-900	0.6	40.0	1.25	100
THH9050XN-X/800-1000MHz	800-1000	1.0	40.0	1.25	100
THH9050XN-X/800-1200MHz	800-1200	1.2	30.0	1.40	100
THH9050XN-X/806-960MHz	806-960	0.8	40.0	1.20	100
THH9050XN-X/850-1000MHz	850-1000	0.8	40.0	1.25	100
THH9050XN-X/850-1150MHz	850-1150	1.0	40.0	1.25	100
THH9050XN-X/1010-1110MHz	1010-1110	0.6	40.0	1.25	100
THH9050XN-X/1200-1300MHz	1200-1300	0.6	40.0	1.25	100

**If the frequency range you need is not covered in the form.
Please contact us for details.**