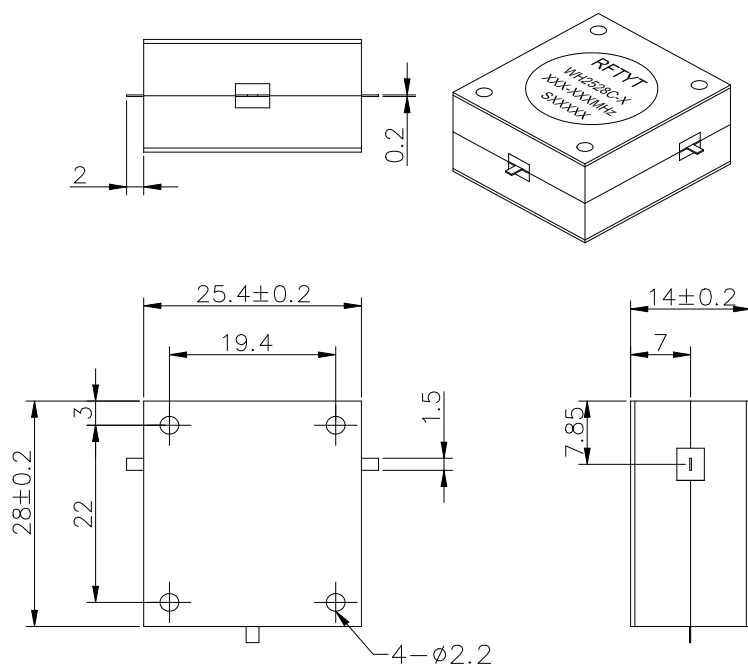


3.0 to 6.0GHz Drop in Circulator

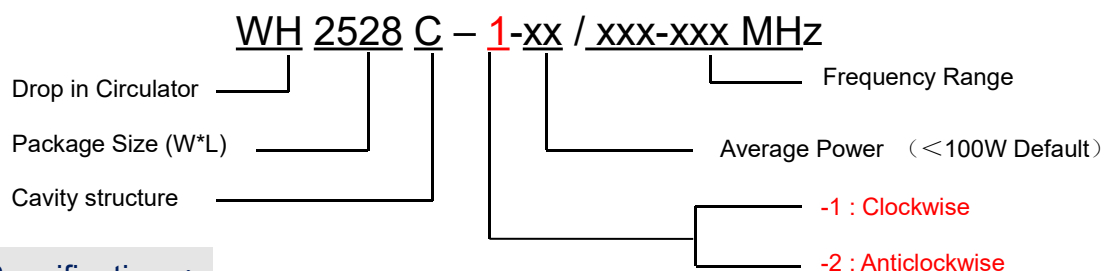
WH2528C Strip Line Type

Outline Drawing (mm):



General part Tolerance is $\pm 2\%$ unless otherwise stated

Order Examples:



Basic Specifications:

Impedance	50 Ω
Operating temperature	-10~+60 $^{\circ}\text{C}$
Storage temperature	-50~+90 $^{\circ}\text{C}$
Size(mm)	25.4*28.0*14.0

Features:

- ◇ Good temperature stability
- ◇ Withstand high power
- ◇ RoHS compliant
- ◇ Weight : ≈ 55 g

Material list:

- ◇ Cavity: aluminum conductive oxidation
- ◇ Outer shell: industrial pure iron nickel plating
- ◇ Guide body: Silver plated brass

Application:

- ◇ Rf amplifier final stage, protect the amplifier
- ◇ Common transceiver antenna
- ◇ Digital communication
- ◇ Satellite communication
- ◇ Mobile communication



Specifications:

Model No (X=1: →Clockwise) (X=2: ←Anticlockwise)	Freq. Range GHz	Insertion Loss dB (max)	Isolation dB (min)	VSWR (max)	Power W
WH2528C-X/3000-4000MHz	3.0-4.0	0.40	20.0	1.20	150
WH2528C-X/3000-5000MHz	3.0-5.0	0.50	18.0	1.25	150
WH2528C-X/3000-6000MHz	3.0-6.0	0.50	18.0	1.30	150
WH2528C-X/4000-5000MHz	4.0-5.0	0.40	20.0	1.25	150
WH2528C-X/4000-6000MHz	4.0-6.0	0.45	20.0	1.25	150
WH2528C-X/5000-6000MHz	5.0-6.0	0.40	18.0	1.30	150

Instructions:

- 1, The circulator only provides through power, indicating that the transmission to the antenna and the antenna to the receiving are through power;
- 2, Only some common frequencies in the table, can be produced according to user requirements;
- 3, Embedded circulator, please use stainless steel or brass screws when installing;
- 4, If you do not find what you are looking for, please contact us!