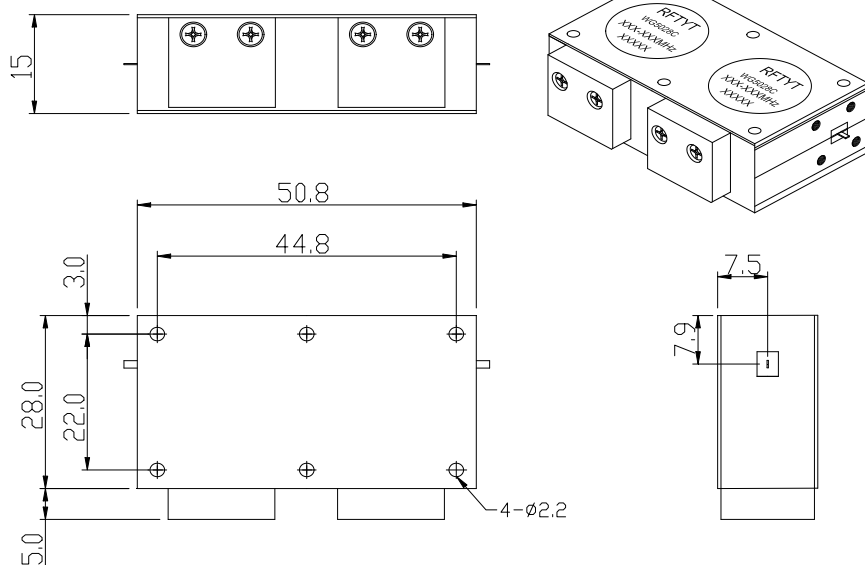


## 3.0 to 6.0GHz Dual Junction Drop in Isolator

### WG5028C Strip Line Type

#### Outline Drawing (mm):



#### Features:

- ◇ Good temperature stability
- ◇ Withstand high power
- ◇ RoHS compliant
- ◇ Weight :  $\approx 95$  g

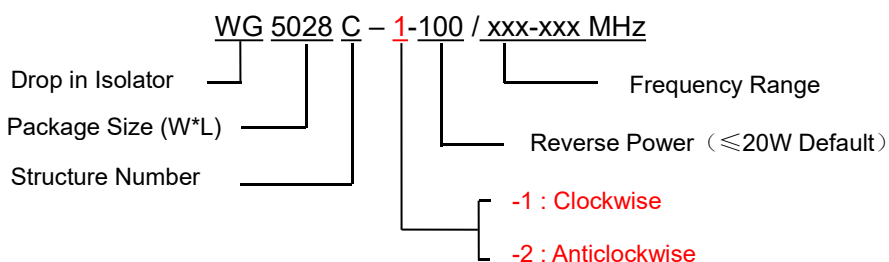
#### Material list:

- ◇ Cavity: aluminum conductive oxidation
- ◇ Outer shell: industrial pure iron nickel plating
- ◇ Guide body: Silver plated brass
- ◇ Load chamber: aluminum conductive oxidation

#### Application:

- ◇ Rf amplifier final stage, protect the amplifier
- ◇ Digital communication
- ◇ Satellite communication
- ◇ Mobile communication

#### Order Examples :



#### Basic Specifications :

Impedance	50 $\Omega$
Connection type	Strip line
Size(mm)	50.8*28.0*15.0
Operating Temp	-10~+60 $^{\circ}$ C
Storage temperature	-50~+90 $^{\circ}$ C



Specifications:

Model No. (X=1: →Clockwise) (X=2: ←Anticlockwise)	Freq. Range GHz	IL. dB (max)	Isolation dB (min)	VSWR	Forward Power CW	Reverse Power W
WG5028C-X-100/2.5-6.0GHz	2.5-6.0	1.6	34	1.35	100	100
WG5028C-X-100/2.7-4.5GHz	2.7-4.5	1.2	36	1.30	100	100
WG5028C-X-100/2.7-6.2GHz	2.7-6.2	1.6	32	1.40	100	100
WG5028C-X-100/3.0-3.6GHz	3.0-3.6	1.0	38	1.25	100	100
WG5028C-X-100/3.0-4.2GHz	3.0-4.2	1.0	36	1.30	100	100
WG5028C-X-100/3.0-4.8GHz	3.0-4.8	1.0	36	1.30	100	100
WG5028C-X-100/3.0-5.0GHz	3.0-5.0	1.0	36	1.25	100	100
WG5028C-X-100/3.0-6.0GHz	3.0-6.0	1.0	36	1.30	100	100
WG5028C-X-100/3.2-6.0GHz	3.2-6.0	1.0	36	1.30	100	100
WG5028C-X-100/3.3-3.8GHz	3.3-3.8	0.8	40	1.25	100	100
WG5028C-X-100/3.3-5.0GHz	3.3-5.0	1.0	36	1.30	100	100
WG5028C-X-100/3.4-3.6GHz	3.4-3.6	0.8	40	1.20	100	100
WG5028C-X-100/3.4-4.2GHz	3.4-4.2	0.8	40	1.25	100	100
WG5028C-X-100/3.7-4.2GHz	3.7-4.2	0.8	40	1.20	100	100
WG5028C-X-100/4.0-5.0GHz	4.0-5.0	0.8	40	1.25	100	100
WG5028C-X-100/4.0-6.0GHz	4.0-6.0	0.9	40	1.25	100	100
WG5028C-X-100/4.4-5.0GHz	4.4-5.0	0.8	40	1.25	100	100
WG5028C-X-100/4.4-5.25GHz	4.4-5.25	0.8	40	1.20	100	100
WG5028C-X-100/4.4-5.9GHz	4.4-5.9	0.8	40	1.25	100	100
WG5028C-X-100/4.5-5.25GHz	4.5-5.25	0.8	40	1.25	100	100
WG5028C-X-100/4.9-5.8GHz	4.9-5.8	0.8	40	1.25	100	100
WG5028C-X-100/5.0-6.0GHz	5.0-6.0	0.8	36	1.30	100	100
WG5028C-X-100/5.0-6.5GHz	5.0-6.5	1.0	36	1.30	100	100
WG5028C-X-100/5.3-5.9GHz	5.3-5.9	0.6	40	1.20	100	100
WG5028C-X-100/5.3-6.3GHz	5.3-6.3	1.0	36	1.30	100	100



Model No. (X=1: →Clockwise) (X=2: ←Anticlockwise)	Freq. Range GHz	IL. dB (max)	Isolation dB (min)	VSWR	Forward Power CW	Reverse Power W
WG5028C-X-100/5.4-5.8GHz	5.4-5.8	0.8	40	1.25	100	100
WG5028C-X-100/5.4-6.2GHz	5.4-6.2	0.8	32	1.30	100	100
WG5028C-X-100/5.5-6.0GHz	5.5-6.0	0.8	40	1.25	100	100

#### Instructions:

- 1, The isolator reflected power is only 100W;
- 2, Only some common frequencies in the table, can be produced according to user requirements;
- 3, Embedded isolator, please use stainless steel or brass screws when installing;
- 4, If you do not find the frequency you want, please contact us!