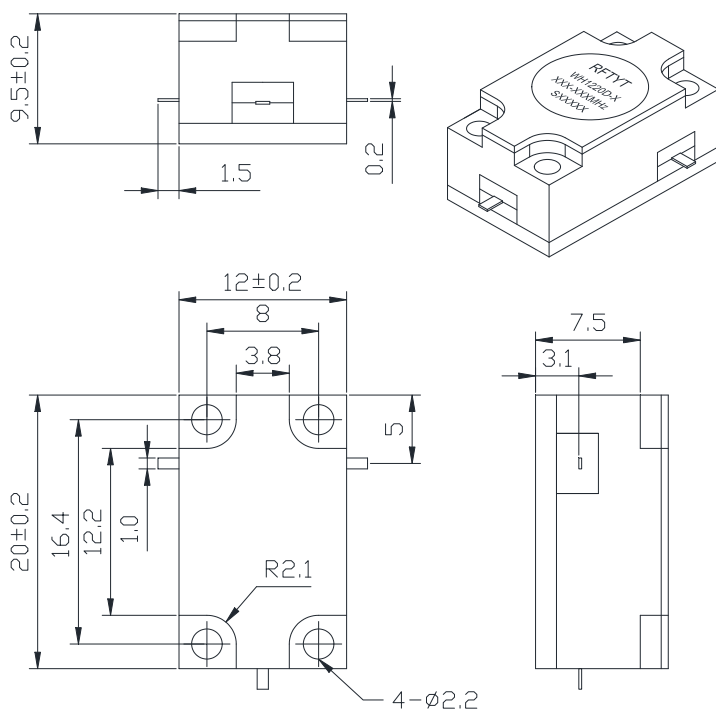


5.5 to 7.0GHz Drop in Circulator

WH1220D Strip Line Type

Outline Drawing (mm):



Features:

- ◇ Good temperature stability
- ◇ Withstand high power
- ◇ RoHS compliant
- ◇ Weight : \approx g

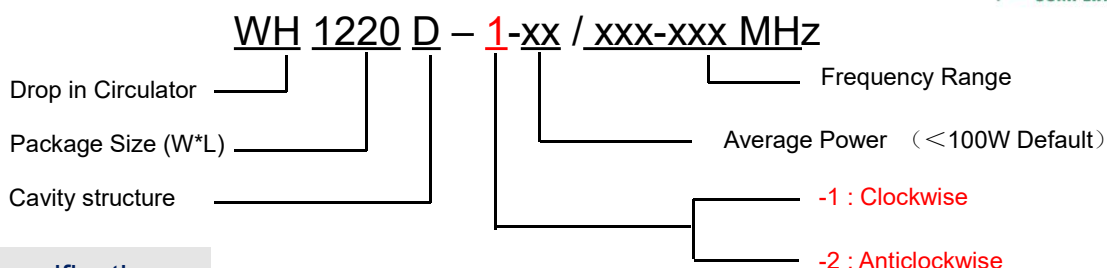
Material list:

- ◇ Cavity: aluminum conductive oxidation
- ◇ Outer shell: industrial pure iron nickel plating
- ◇ Guide body: Silver plated brass

Application:

- ◇ Rf amplifier final stage, protect the amplifier
- ◇ Common transceiver antenna
- ◇ Digital communication
- ◇ Satellite communication
- ◇ Mobile communication

Order Examples:



Basic Specifications:

Impedance	50 Ω
Operating temperature	-30~+70°C/-40~+85°C
Storage temperature	-50~+90 °C
Size(mm)	12.0*20.0*9.5

Specifications:

Model Mo (X=1: →Clockwise) (X=2: ←Anticlockwise)	Freq. Range GHz	Insertion Loss dB (max)	Isolation dB (min)	VSWR (max)	Power W
WH1220D-X/5.5-5.7GHz	5.5-5.7	0.40	20.0	1.20	30
WH1220D-X/5.6-6.0GHz	5.6-6.0	0.40	19.0	1.25	30
WH1220D-X/5.7-5.9GHz	5.7-5.9	0.30	23.0	1.20	30
WH1220D-X/5.7-6.5GHz	5.7-6.5	0.50	18.0	1.30	30
WH1220D-X/5.78-6.0GHz	5.78-6.0	0.40	20.0	1.20	30
WH1220D-X/5.8-6.5GHz	5.8-6.5	0.50	18.0	1.30	30
WH1220D-X/5.85-6.73GHz	5.85-6.73	0.50	18.0	1.30	30
WH1220D-X/6.0-7.0GHz	6.0-7.0	0.50	18.0	1.30	30
WH1220D-X/6.35-6.55GHz	6.35-6.55	0.30	23.0	1.20	30
WH1220D-X/6.5-7.0GHz	6.5-7.0	0.40	20.0	1.25	30
WH1220D-X/6.57-6.87GHz	6.57-6.87	0.30	20.0	1.20	30
WH1220D-X/6.7-7.0GHz	6.7-7.0	0.30	20.0	1.20	30

Instructions:

- 1, The circulator only provides through power, indicating that the transmission to the antenna and the antenna to the receiving are through power;
- 2, Only some common frequencies in the table, can be produced according to user requirements;
- 3, Embedded circulator, please use stainless steel or brass screws when installing;
- 4, If you do not find what you are looking for, please contact us!