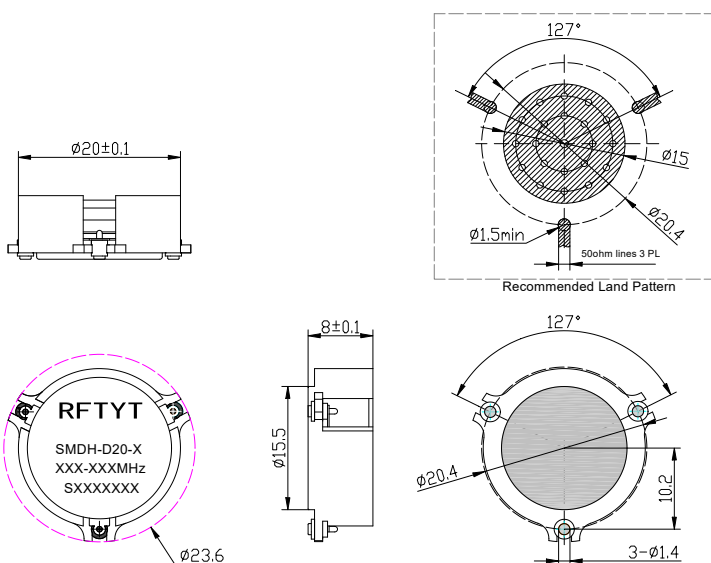


750 to 2500MHz Surface Mount Circulator

SMTH-D20 SMT

Outline Drawing (mm): 



Features:

- ◇ Good temperature stability
- ◇ Withstand high power
- ◇ RoHS compliant
- ◇ Weight : ≈ 18g

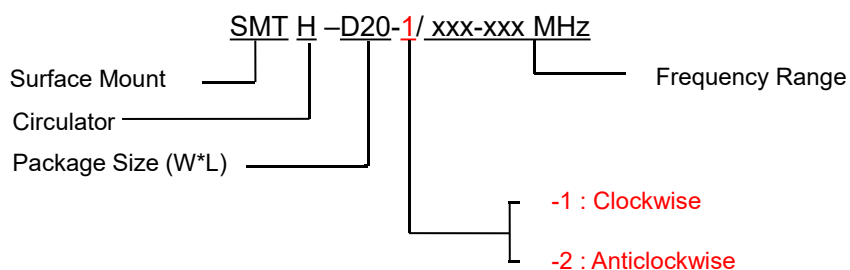
Material list:

- ◇ Shell: industrial pure iron silvered
- ◇ Inner conductor: silver plated brass

Application:

- ◇ Rf amplifier final stage, protect the amplifier
- ◇ Common transceiver antenna
- ◇ Digital communication
- ◇ Satellite communication
- ◇ Mobile communication

Order Examples :



Basic Specifications :

| | |
|---------------------|-----------|
| Impedance | 50 Ω |
| Size(mm) | Φ20.0*8.0 |
| Operating Temp | -40~+80℃ |
| Storage temperature | -50~+90℃ |
| ConnectorType | SMT |

Specifications:

| Model No. (X=1: →Clockwise) (X=2: ←Anticlockwise) | Freq. Range MHz | IL. dB (max) | Isolation dB (min) | VSWR | Power CW |
|--|----------------------------------|-------------------------------|-------------------------------------|-------------|---------------------------|
| SMTH-D20-X/758-803MHz | 758-803 | 0.4 | 20 | 1.25 | 60 |
| SMTH-D20-X/900-930MHz | 900-930 | 0.4 | 23 | 1.20 | 100 |
| SMTH-D20-X/925-960MHz | 920-960 | 0.4 | 20 | 1.25 | 100 |
| SMTH-D20-X/1017-1103MHz | 1017-1103 | 0.4 | 20 | 1.25 | 100 |
| SMTH-D20-X/1200-1400MHz | 1200-1400 | 0.4 | 20 | 1.25 | 100 |
| SMTH-D20-X/1400-1500MHz | 1400-1500 | 0.3 | 23 | 1.20 | 100 |
| SMTH-D20-X/1600-2000MHz | 1600-2000 | 0.6 | 17 | 1.35 | 100 |
| SMTH-D20-X/1830-2650MHz | 1830-2650 | 0.6 | 13 | 1.58 | 100 |
| SMTH-D20-X/2110-2155MHz | 2110-2155 | 0.3 | 23 | 1.20 | 60 |
| SMTH-D20-X/2400-2500MHz | 2400-2155 | 0.3 | 23 | 1.20 | 100 |
| SMTH-D20-X/2500-2630MHz | 2500-2630 | 0.4 | 20 | 1.25 | 60 |

Instructions:

- 1, When the surface paste circulator adopts reflow welding process, the maximum temperature does not exceed 260 degrees;
- 2, The circulator only provides through power, indicating that the transmission to the antenna and the antenna to the receiving are through power;
- 3, Only some common frequencies in the table, can be produced according to the user's requirements;
- 4, If you do not find what you are looking for, please contact us!