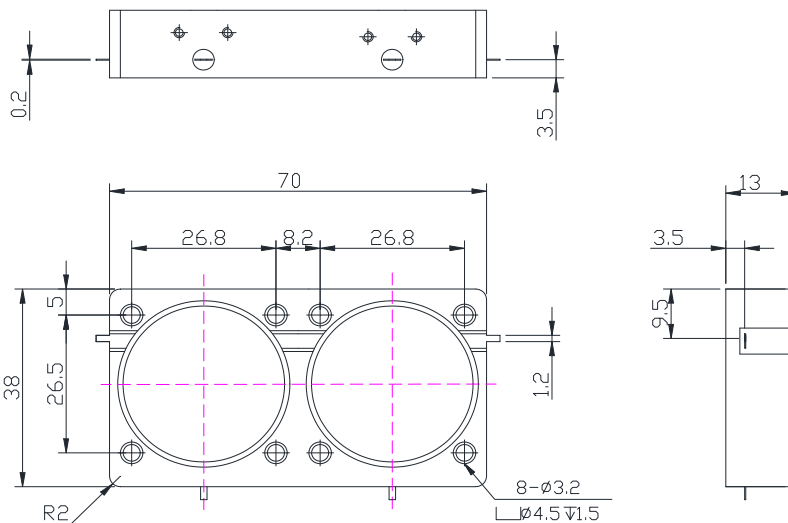


400 to 1850MHz Dual Junction Drop in Circulator

WHH7038X Strip line Type

Outline Drawing (mm): 



Features:

- ◇ Good temperature stability
- ◇ Withstand high power
- ◇ RoHS compliant
- ◇ Weight : ≈ g

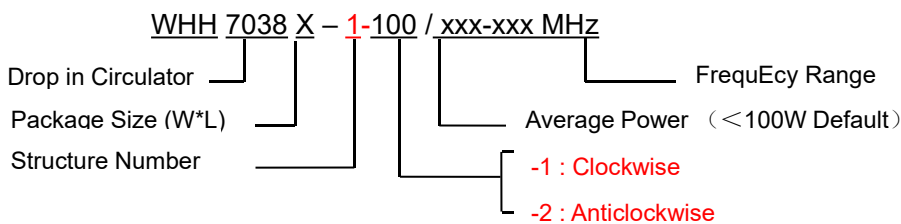
Material list:

- ◇ Shell: Steel
- Coating: Bright Nickel
- ◇ Inner conductor: Brass
- Coating: Silver

Application:

- ◇ Protect WHe power amplifier and Installed at WHe Ed of RF power amplifier
- ◇ Transceiver common antEna
- ◇ Medical,Communication,Security VHF

Order Examples:



Connector Type:

S Type Connector Options					N Type Connector Options				
Port 1	Port 2	Port 3	Port 4	Abbreviation	Port 1	Port 2	Port 3	Port 4	Abbreviation
Female	Female	Female	Female	S	Female	Female	Female	Female	N
Female	Male	Male	Male	SKJJJ	Female	Male	Male		NKJJ
Male	Female	Female	Female	SJKKK	Male	Female	Male		NJKJ
Female	Female	Male	Male	SKKJJ	Female	Female	Male		NKKJ
Male	Male	Male	Male	SJ	Male	Male	Male		NJ

Basic Specifications :

Impedance	50 Ω
Connector Type	Strip line
Size(mm)	70.0*38.0*15.0
Operating Temp	-30~+70 $^{\circ}$ C/-40~+85 $^{\circ}$ C
Storage temperature	-50~+90 $^{\circ}$ C

Specifications :

Model No. (x=1: \rightarrow Clockwise) (x=2: \leftarrow Anticlockwise)	Freq. Range MHz	IL. dB (max)	Isolation dB (min)	VSWR (max)	Forward Power W
WHH7038X-X/400-410MHz	400-410	0.6	46	1.20	300
WHH7038X-X/400-440MHz	400-440	0.8	40	1.25	300
WHH7038X-X/400-450MHz	400-450	0.8	40	1.25	300
WHH7038X-X/400-470MHz	400-470	0.8	40	1.25	300
WHH7038X-X/400-500MHz	400-500	1.0	38	1.25	300
WHH7038X-X/410-460MHz	410-460	0.8	40	1.25	300
WHH7038X-X/413-419MHz	413-419	0.6	50	1.15	300
WHH7038X-X/419-425MHz	419-425	0.6	50	1.15	300
WHH7038X-X/420-450MHz	420-450	0.8	40	1.25	300
WHH7038X-X/420-480MHz	420-480	0.8	40	1.25	300
WHH7038X-X/425-475MHz	425-475	0.8	40	1.25	300
WHH7038X-X/429-439MHz	429-439	0.6	50	1.15	300
WHH7038X-X/430-440MHz	430-440	0.6	46	1.20	300
WHH7038X-X/430-460MHz	430-460	0.8	40	1.25	300
WHH7038X-X/430-470MHz	430-470	0.8	40	1.25	300
WHH7038X-X/433-457MHz	433-457	0.6	46	1.20	300
WHH7038X-X/435-437MHz	435-437	0.6	46	1.20	300
WHH7038X-X/440-470MHz	440-470	0.6	46	1.20	300
WHH7038X-X/447-499MHz	447-499	0.6	46	1.20	300
WHH7038X-X/450-456MHz	450-456	0.6	50	1.15	300
WHH7038X-X/450-500MHz	450-500	0.8	40	1.25	300



WHH7038X-X/450-520MHz	450-520	0.8	40	1.25	300
WHH7038X-X/450-550MHz	450-550	0.8	40	1.25	300
WHH7038X-X/455-465MHz	455-465	0.6	50	1.15	300
WHH7038X-X/459-486MHz	459-486	0.6	46	1.20	300
WHH7038X-X/470-490MHz	470-490	0.6	40	1.20	300
WHH7038X-X/470-530MHz	470-530	0.8	40	1.20	300
WHH7038X-X/470-570MHz	470-570	0.8	40	1.25	300
WHH7038X-X/470-610MHz	470-610	1.0	36	1.30	300
WHH7038X-X/475-525MHz	475-525	0.6	46	1.20	300
WHH7038X-X/495-516MHz	495-516	0.6	46	1.20	300
WHH7038X-X/500-600MHz	500-600	0.8	40	1.20	300
WHH7038X-X/500-700MHz	500-700	1.4	35	1.35	300
WHH7038X-X/570-670MHz	570-670	0.6	46	1.20	300
WHH7038X-X/580-720MHz	580-720	0.9	40	1.25	300
WHH7038X-X/600-700MHz	600-700	0.8	40	1.25	300
WHH7038X-X/670-770MHz	670-770	0.6	46	1.20	300
WHH7038X-X/690-860MHz	690-860	0.8	40	1.20	300
WHH7038X-X/700-862MHz	700-862	0.8	40	1.25	300
WHH7038X-X/700-900MHz	700-900	1.0	36	1.30	300
WHH7038X-X/703-862MHz	703-862	0.8	40	1.25	300
WHH7038X-X/770-860MHz	770-860	0.6	46	1.20	300
WHH7038X-X/600-800MHz	600-800	1.0	36	1.30	300
WHH7038X-X/700-1000MHz	700-1000	1.2	32	1.40	300
WHH7038X-X/750-950MHz	750-950	0.8	40	1.25	300
WHH7038X-X/800-1000MHz	800-1000	0.8	40	1.25	300
WHH7038X-X/854-921MHz	854-921	0.6	40	1.20	300
WHH7038X-X/860-872MHz	860-872	0.5	50	1.15	300
WHH7038X-X/862-960MHz	862-960	0.6	50	1.20	300
WHH7038X-X/900-930MHz	900-930	0.5	50	1.15	300



WHH7038X-X/900-1000MHz	900-1000	0.6	46	1.20	300
WHH7038X-X/900-1100MHz	900-1100	0.8	40	1.25	300
WHH7038X-X/950-1000MHz	950-1000	0.6	46	1.20	300
WHH7038X-X/950-1250MHz	950-1250	0.9	40	1.25	300
WHH7038X-X/950-1280MHz	950-1280	1.0	40	1.25	300
WHH7038X-X/950-1450MHz	950-1450	1.2	34	1.35	300
WHH7038X-X/955-1220MHz	955-1220	0.8	40	1.25	300
WHH7038X-X/960-1160MHz	960-1160	0.8	40	1.25	300
WHH7038X-X/960-1215MHz	960-1215	0.8	40	1.25	300
WHH7038X-X/960-1260MHz	960-1260	0.9	40	1.25	300
WHH7038X-X/1000-1100MHz	1000-1100	0.6	50	1.15	300
WHH7038X-X/1000-1500MHz	1000-1500	1.2	34	1.35	300
WHH7038X-X/1015-1045MHz	1015-1045	0.5	46	1.15	300
WHH7038X-X/1020-1040MHz	1020-1040	0.5	50	1.15	300
WHH7038X-X/1020-1100MHz	1020-1100	0.5	40	1.20	300
WHH7038X-X/1022-1540MHz	1022-1540	1.2	34	1.35	300
WHH7038X-X/1030-1039MHz	1030-1039	0.4	50	1.15	300
WHH7038X-X/1030-1090MHz	1030-1090	0.5	46	1.20	300
WHH7038X-X/1100-1600MHz	1100-1600	1.0	34	1.35	300
WHH7038X-X/1100-1650MHz	1100-1650	1.2	34	1.35	300
WHH7038X-X/1100-1699MHz	1100-1699	1.2	32	1.40	300
WHH7038X-X/1160-1610MHz	1160-1610	1.0	36	1.30	300
WHH7038X-X/1200-1400MHz	1200-1400	0.6	40	1.25	300
WHH7038X-X/1200-1500MHz	1200-1500	0.8	40	1.25	300
WHH7038X-X/1285-1315MHz	1285-1315	0.4	46	1.20	300
WHH7038X-X/1290-1310MHz	1290-1310	0.4	50	1.15	300
WHH7038X-X/1300-1700MHz	1300-1700	0.8	40	1.20	300
WHH7038X-X/1350-1850MHz	1350-1850	1.0	38	1.25	300

**If the frequency range you need is not covered in the form.
Please contact us for details.**