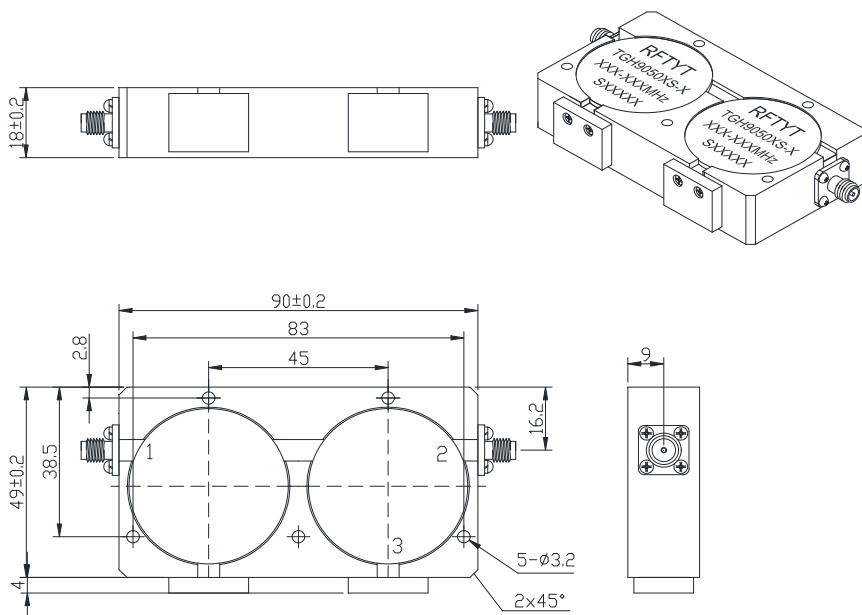
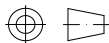


## 300 to 1250MHz Dual Junction Isolator

### TG9050XS SMA Type

#### Outline Drawing (mm):



#### Features:

- ◇ Good temperature stability
- ◇ Withstand high power
- ◇ RoHS compliant
- ◇ Weight :  $\approx$  270 g

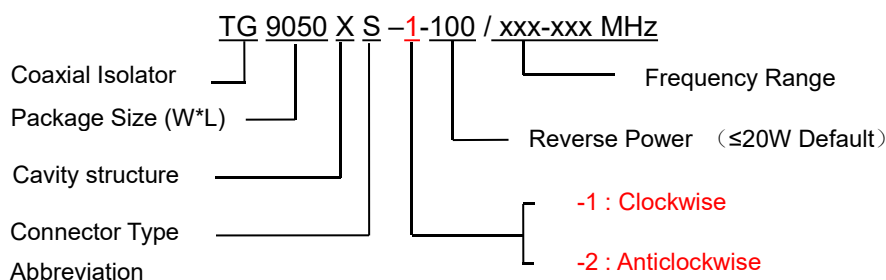
#### Material list:

- ◇ Cavity: easy to cut iron plated nickel
- ◇ Guide body: Silver plated brass
- ◇ Load chamber: aluminum conductive oxidation

#### Application:

- ◇ Rf amplifier final stage, protect the amplifier
- ◇ Digital communication
- ◇ Satellite communication
- ◇ Mobile communication

#### Order Examples:



#### Connector Type

SMA Type Connector Options			N Type Connector Options		
Port 1	Port 2	Abbreviation	Port 1	Port 2	Abbreviation
SMA-K	SMA-K	S	N-K	N-K	N
SMA-K	SMA-J	SKJ	N-J	N-K	NJK
SMA-J	SMA-K	SJK	N-K	N-J	NKJ
SMA-J	SMA-J	SJ	N-J	N-J	NJ

### Basic Specifications :

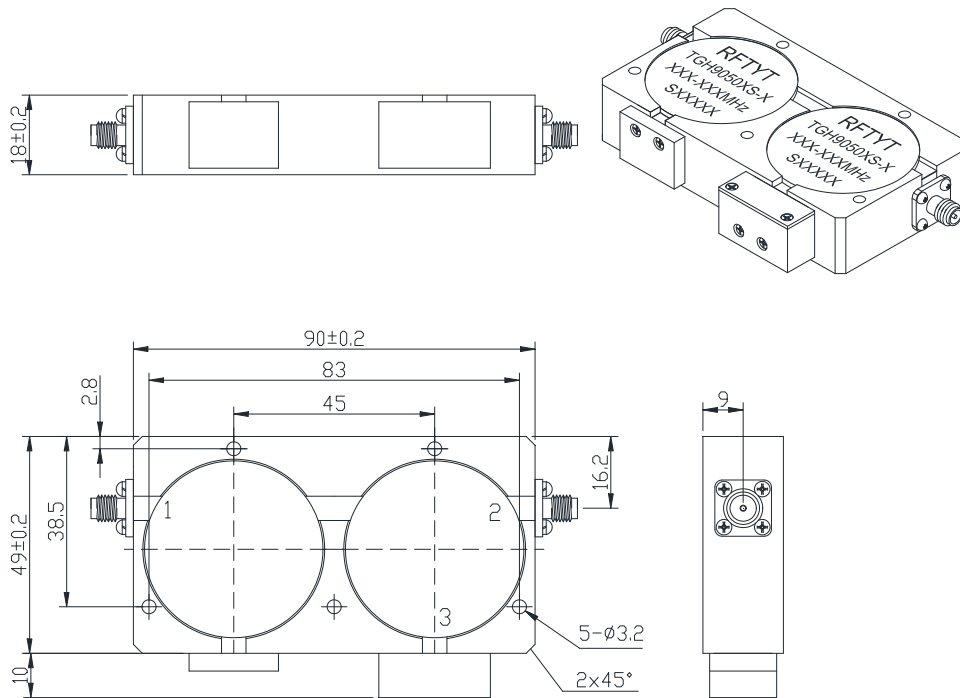
Impedance	50 Ω
Size(mm)	90.0*49.0*18.0
Operating Temp	-30~+70 °C/-40~+85 °C
Storage temperature	-50~+90 °C
ConnectorType	SMA-K

### Specifications :

Model No. (X=1: →Clockwise) (X=2: ←Anticlockwise)	Freq. Range MHz	IL. dB (max)	Isolation dB (min)	VSWR	Forward Power CW	Reverse Power W
TG9050XS-X/300-350MHz	300-350	1.0	40	1.25	100	20/100
TG9050XS-X/300-400MHz	300-400	1.2	36	1.30	100	20/100
TG9050XS-X/300-420MHz	300-420	1.6	32	1.40	100	20/100
TG9050XS-X/320-415MHz	320-415	1.6	36	1.40	100	20/100
TG9050XS-X/345-415MHz	345-415	1.2	40	1.25	100	20/100
TG9050XS-X/350-400MHz	350-400	0.8	40	1.20	100	20/100
TG9050XS-X/350-470MHz	350-470	1.0	38	1.25	100	20/100
TG9050XS-X/360-440MHz	360-440	0.8	40	1.25	100	20/100
TG9050XS-X/360-470MHz	360-470	1.0	40	1.25	100	20/100
TG9050XS-X/375-415MHz	375-415	0.8	40	1.25	100	20/100
TG9050XS-X/380-480MHz	380-480	1.0	36	1.30	100	20/100
TG9050XS-X/400-430MHz	400-430	0.5	50	1.15	100	20/100
TG9050XS-X/400-500MHz	400-500	1.0	40	1.25	100	20/100
TG9050XS-X/400-520MHz	400-520	1.0	36	1.30	100	20/100
TG9050XS-X/400-550MHz	400-550	1.2	36	1.30	100	20/100
TG9050XS-X/400-600MHz	400-600	1.8	28	1.60	100	20/100
TG9050XS-X/412-512MHz	412-512	1.0	40	1.25	100	20/100
TG9050XS-X/440-470MHz	440-470	0.5	50	1.15	100	20/100
TG9050XS-X/450-600MHz	450-600	1.0	36	1.30	100	20/100
TG9050XS-X/460-605MHz	460-605	1.0	36	1.30	100	20/100



Model No. (X=1: →Clockwise) (X=2: ←Anticlockwise)	Freq. Range MHz	IL. dB (max)	Isolation dB (min)	VSWR	Forward Power CW	Reverse Power W
TG9050XS-X/470-520MHz	470-520	0.8	40	1.25	100	20/100
TG9050XS-X/470-610MHz	470-610	1.0	36	1.30	100	20/100
TG9050XS-X/470-650MHz	470-650	1.2	36	1.30	100	20/100
TG9050XS-X/500-700MHz	500-700	1.2	36	1.30	100	20/100
TG9050XS-X/520-570MHz	520-570	0.6	46	1.20	100	20/100
TG9050XS-X/570-610MHz	570-610	0.6	46	1.20	100	20/100
TG9050XS-X/600-900MHz	600-900	1.6	30	1.50	100	20/100
TG9050XS-X/610-960MHz	610-960	1.6	34	1.50	100	20/100
TG9050XS-X/620-862MHz	620-862	1.0	40	1.25	100	20/100
TG9050XS-X/690-1000MHz	690-1000	1.2	36	1.30	100	20/100
TG9050XS-X/698-960MHz	698-960	1.0	40	1.25	100	20/100
TG9050XS-X/700-1000MHz	700-1000	1.2	40	1.25	100	20/100
TG9050XS-X/760-1010MHz	760-1010	1.0	40	1.25	100	20/100
TG9050XS-X/800-900MHz	800-900	0.6	46	1.20	100	20/100
TG9050XS-X/800-1000MHz	800-1000	0.8	40	1.25	100	20/100
TG9050XS-X/800-1200MHz	800-1200	1.2	32	1.40	100	20/100



### Reverse power 100W type

The reverse power of this figure is 100W, the index is shown in the table above, and the model is TG9050XS-X-100/XXX-XXXMHz

#### Instructions:

- 1, The isolator connector can be selected SMA, N, male and female head can be used with the user;
- 2, The reflection power is often 20W and 100W choice, the shape is the same;
- 3, Only some common frequencies in the table, can be produced according to the user's requirements;
- 4, If you do not find what you are looking for, please contact us!