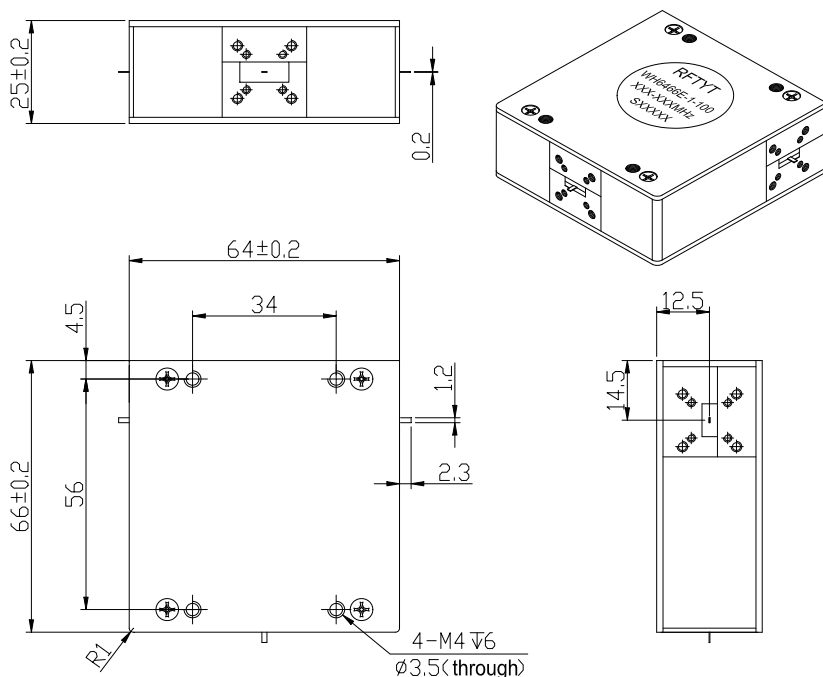


136 to 240MHz Drop in Circulator

WH6466E Strip Line Type

Outline Drawing (mm):



Features:

- ◇ Good temperature stability
- ◇ Withstand high power
- ◇ RoHS compliant
- ◇ Weight : \approx 350 g

Material list:

- ◇ Cavity: aluminum conductive oxidation
- ◇ Outer shell: industrial pure iron nickel plating
- ◇ Guide body: Silver plated brass

Application:

- ◇ Rf amplifier final stage, protect the amplifier
- ◇ Common transceiver antenna
- ◇ Digital communication
- ◇ Satellite communication
- ◇ Mobile communication

Order Examples:

WH 6466 E - 1-xx / xxx-xxx MHz

Drop in Circulator

Package Size (W*L)

Cavity structure

Frequency Range

Average Power (<100W Default)

-1 : Clockwise

-2 : Anticlockwise



Basic Specifications:

Impedance	50 Ω
Operating temperature	-10~+60 $^{\circ}\text{C}$
Storage temperature	-30~+70 $^{\circ}\text{C}$
Size(mm)	64.0*66.0*25.0

Specifications:

Model No (X=1: →Clockwise) (X=2: ←Anticlockwise)	Freq. Range MHz	Insertion Loss dB (max)	Isolation dB (min)	VSWR (max)	Power W
WH6466E-X/100-105MHz	100-105	0.80	18.0	1.30	150
WH6466E-X/105-115MHz	105-115	0.80	18.0	1.30	150
WH6466E-X/130-150MHz	130-150	0.60	20.0	1.25	150
WH6466E-X/140-160MHz	140-160	0.60	20.0	1.25	150
WH6466E-X/140-148MHz	140-148	0.50	23.0	1.20	150
WH6466E-X/145-155MHz	145-155	0.50	20.0	1.25	150
WH6466E-X/148-174MHz	148-174	0.50	20.0	1.25	150
WH6466E-X/150-170MHz	150-170	0.50	20.0	1.25	150
WH6466E-X/160-190MHz	160-190	0.70	18.0	1.30	150
WH6466E-X/170-174MHz	170-174	0.45	23.0	1.20	150
WH6466E-X/170-200MHz	170-200	0.70	18.0	1.30	150
WH6466E-X/180-220MHz	180-220	0.65	18.0	1.30	150

Instructions:

- 1, The circulator only provides through power, indicating that the transmission to the antenna and the antenna to the receiving are through power;
- 2, Only some common frequencies in the table, can be produced according to user requirements;
- 3, Embedded isolator, please use stainless steel or brass screws when installing;
- 4, If you do not find what you are looking for, please contact us!