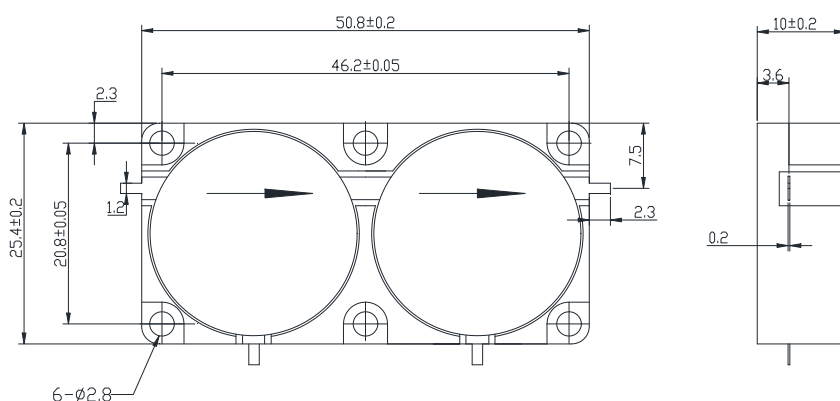


450 to 2700MHz Dual Junction Drop in Circulator

WHH5025X Strip line Type

Outline Drawing (mm): 



Features:

- ◇ Good temperature stability
- ◇ Withstand high power
- ◇ RoHS compliant
- ◇ Weight : ≈ g

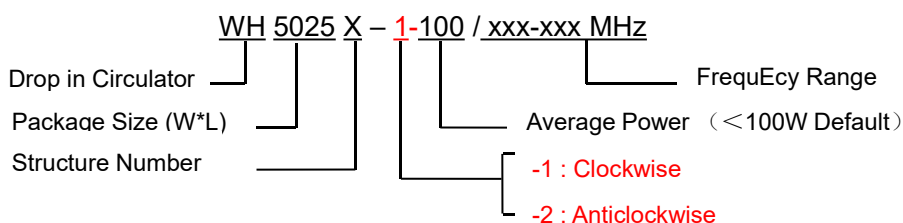
Material list:

- ◇ Shell: Steel
- Coating: Bright Nickel
- ◇ Inner conductor: Brass
- Coating: Silver

Application:

- ◇ Protect WHe power amplifier and Installed at WHe Ed of RF power amplifier
- ◇ Transceiver common antEna
- ◇ Medical,Communication,Security VHF

Order Examples:



Connector Type:

S Type Connector Options					N Type Connector Options				
Port 1	Port 2	Port 3	Port 4	Abbreviation	Port 1	Port 2	Port 3	Port 4	Abbreviation
Female	Female	Female	Female	S	Female	Female	Female	Female	N
Female	Male	Male	Male	SKJJJ	Female	Male	Male		NKJJ
Male	Female	Female	Female	SJKKK	Male	Female	Male		NJKJ
Female	Female	Male	Male	SKKJJ	Female	Female	Male		NKKJ
Male	Male	Male	Male	SJ	Male	Male	Male		NJ

Basic Specifications :

Impedance	50 Ω
Connector Type	Strip line
Size(mm)	50.8*25.4*10.0
Operating Temp	-30~+70℃/-40~+85℃
Storage temperature	-50~+90 ℃

Specifications :

Model No. (X=1: →Clockwise) (X=2: ←Anticlockwise)	Freq. Range MHz	IL dB (max)	Isolation dB (min)	VSWR (max)	Forward Power W
WHH5025X-X/430-470MHz	430-470	0.8	40	1.25	250
WHH5025X-X/490-510MHz	490-510	0.6	46	1.20	250
WHH5025X-X/600-700MHz	600-700	0.8	40	1.25	250
WHH5025X-X/690-810MHz	690-810	0.8	40	1.25	250
WHH5025X-X/700-750MHz	700-750	0.8	40	1.25	250
WHH5025X-X/700-803MHz	700-803	0.8	40	1.25	250
WHH5025X-X/750-800MHz	750-800	0.6	46	1.20	250
WHH5025X-X/800-850MHz	800-850	0.6	46	1.20	250
WHH5025X-X/800-1000MHz	800-1000	1.0	36	1.30	250
WHH5025X-X/850-855MHz	850-855	0.5	50	1.15	250
WHH5025X-X/850-900MHz	850-900	0.6	46	1.20	250
WHH5025X-X/850-960MHz	850-960	0.8	40	1.25	250
WHH5025X-X/860-960MHz	860-960	0.8	40	1.25	250
WHH5025X-X/900-920MHz	900-920	0.6	46	1.20	250
WHH5025X-X/925-960MHz	925-960	0.6	46	1.20	250
WHH5025X-X/955-1220MHz	955-1220	0.9	36	1.30	250
WHH5025X-X/960-1230MHz	960-1230	0.9	36	1.30	250
WHH5025X-X/962-1213MHz	962-1213	0.9	40	1.25	250
WHH5025X-X/1000-1100MHz	1000-1100	0.6	46	1.20	250
WHH5025X-X/1000-1200MHz	1000-1200	0.8	40	1.25	250



WHH5025X-X/1020-1040MHz	1020-1040	0.4	50	1.15	250
WHH5025X-X/1020-1100MHz	1020-1100	0.6	46	1.20	250
WHH5025X-X/1022-1038MHz	1022-1038	0.4	50	1.15	250
WHH5025X-X/1030-1039MHz	1030-1039	0.4	50	1.15	250
WHH5025X-X/1030-1090MHz	1030-1090	0.6	46	1.20	250
WHH5025X-X/1070-1210MHz	1070-1210	0.8	40	1.25	250
WHH5025X-X/1080-1100MHz	1080-1100	0.4	50	1.15	250
WHH5025X-X/1100-1300MHz	1100-1300	0.8	40	1.25	250
WHH5025X-X/1150-1250MHz	1150-1250	0.6	46	1.20	250
WHH5025X-X/1187-1312MHz	1187-1312	0.8	40	1.25	250
WHH5025X-X/1200-1300MHz	1200-1300	0.6	46	1.20	250
WHH5025X-X/1200-1400MHz	1200-1400	0.8	40	1.25	250
WHH5025X-X/1250-1450MHz	1250-1450	0.8	40	1.25	250
WHH5025X-X/1301-1438MHz	1301-1438	0.8	40	1.25	250
WHH5025X-X/1300-1700MHz	1300-1700	0.8	38	1.25	250
WHH5025X-X/1325-1375MHz	1325-1375	0.6	46	1.20	250
WHH5025X-X/1400-1600MHz	1400-1600	0.8	40	1.25	250
WHH5025X-X/1450-1550MHz	1450-1550	0.6	46	1.20	250
WHH5025X-X/1500-1700MHz	1500-1700	0.8	40	1.25	250
WHH5025X-X/1500-1800MHz	1500-1800	0.8	40	1.25	250
WHH5025X-X/1524-1540MHz	1524-1540	0.4	50	1.15	250
WHH5025X-X/1550-1630MHz	1550-1630	0.6	46	1.20	250
WHH5025X-X/1550-1650MHz	1550-1650	0.6	46	1.20	250
WHH5025X-X/1626-1660MHz	1626-1660	0.4	50	1.15	250
WHH5025X-X/1700-1900MHz	1700-1900	0.8	40	1.25	250
WHH5025X-X/1700-2000MHz	1700-2000	0.8	38	1.25	250
WHH5025X-X/1710-1785MHz	1710-1785	0.6	46	1.20	250
WHH5025X-X/1710-2170MHz	1710-2170	1.0	36	1.30	250
WHH5025X-X/1800-2000MHz	1800-2000	0.8	40	1.25	250



WHH5025X-X/1800-2200MHz	1800-2200	1.0	36	1.30	250
WHH5025X-X/1800-2400MHz	1800-2400	1.2	36	1.30	250
WHH5025X-X/1805-1880MHz	1805-1880	0.6	46	1.20	250
WHH5025X-X/1805-2117MHz	1805-2117	0.8	40	1.25	250
WHH5025X-X/1900-2200MHz	1900-2200	0.7	40	1.25	250
WHH5025X-X/1920-1990MHz	1920-1990	0.6	46	1.20	250
WHH5025X-X/2000-2200MHz	2000-2200	0.8	40	1.20	250
WHH5025X-X/2000-2400MHz	2000-2400	1.0	36	1.30	250
WHH5025X-X/2000-2500MHz	2000-2500	1.0	36	1.20	250
WHH5025X-X/2000-2700MHz	2000-2700	1.4	34	1.35	250

**If the frequency range you need is not covered in the form.
Please contact us for details.**