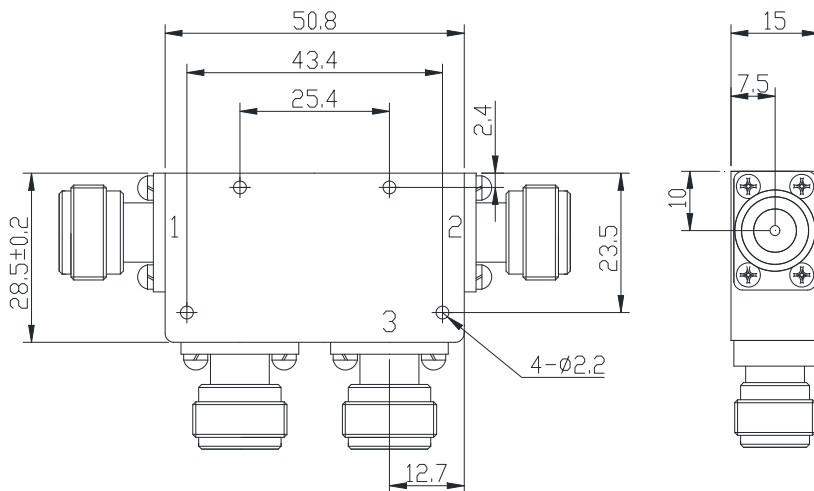


700 to 4200MHz Dual Junction Coaxial Circulator

THH5028XN N Type

Outline Drawing (mm): 



Features:

- ◇ Good temperature stability
- ◇ Withstand high power
- ◇ RoHS compliant
- ◇ Weight : ≈ g

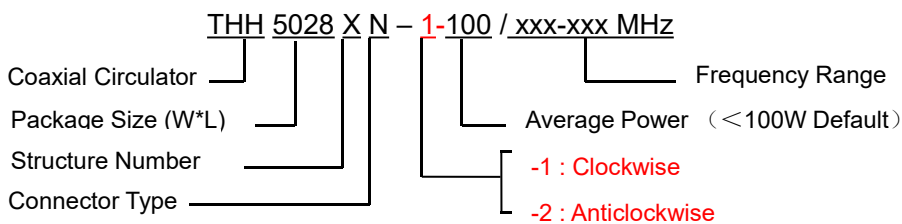
Material list:

- ◇ Shell: Steel
- Coating: Bright Nickel
- ◇ Inner conductor: Brass
- Coating: Silver

Application:

- ◇ Protect the power amplifier and
Installed at the end of RF power
amplifier
- ◇ Transceiver common antenna
- ◇ GSM1800/CDMA/TD-SCDMA/WCD
MA/EGSM/Wimax/TD-LTE/AMPS/S
MR 5G and other communication
systems

Order Examples:



Connector Type:

S Type Connector Options					N Type Connector Options				
Port 1	Port 2	Port 3	Port 4	Abbreviation	Port 1	Port 2	Port 3	Port 4	Abbreviation
SMA-F	SMA-F	SMA-F	SMA-F	S	N-F	N-F	N-F	N-F	N
SMA-F	SMA-M	SMA-M	SMA-M	SKJJJ	N-F	N-M	N-M	N-M	NKJJJ
SMA-M	SMA-F	SMA-F	SMA-F	SJKKK	N-M	N-F	N-F	N-F	NJKKK
SMA-F	SMA-F	SMA-M	SMA-M	SKKJJ	N-F	N-F	N-M	N-M	NKKJJ

Basic Specifications :

Impedance	50 Ω
Connector Type	N-F
Size(mm)	50.8*28.5*15.0
Operating Temp	-30~+70℃/-40~+85℃
Storage temperature	-50~+90 ℃

Specifications :

Model No. (X=1: →Clockwise) (X=2: ←Anticlockwise)	Freq. Range MHz	IL dB (max)	Isolation dB (min)	VSWR (max)	Forward Power W
THH5028XN-X/700-750MHz	700-750	0.8	46	1.20	200
THH5028XN-X/700-780MHz	700-780	0.8	40	1.25	200
THH5028XN-X/703-733MHz	703-733	0.6	46	1.20	200
THH5028XN-X/725-775MHz	725-775	0.6	46	1.20	200
THH5028XN-X/729-803MHz	729-803	0.8	40	1.25	200
THH5028XN-X/734-746MHz	734-746	0.6	46	1.20	200
THH5028XN-X/750-768MHz	750-768	0.6	40	1.20	200
THH5028XN-X/750-790MHz	750-790	0.6	46	1.20	200
THH5028XN-X/750-803MHz	750-803	0.6	46	1.20	200
THH5028XN-X/750-950MHz	750-950	1.2	36	1.30	200
THH5028XN-X/755-788MHz	755-788	0.6	46	1.20	200
THH5028XN-X/758-788MHz	758-788	0.6	46	1.20	200
THH5028XN-X/770-800MHz	770-800	0.6	46	1.20	200
THH5028XN-X/790-825MHz	790-825	0.6	46	1.20	200
THH5028XN-X/791-861MHz	791-861	0.6	46	1.20	200
THH5028XN-X/800-840MHz	800-840	0.6	46	1.20	200
THH5028XN-X/800-900MHz	800-900	0.8	40	1.25	200
THH5028XN-X/800-1000MHz	800-1000	1.0	36	1.30	200
THH5028XN-X/806-821MHz	806-821	0.6	46	1.20	200
THH5028XN-X/806-824MHz	806-824	0.6	46	1.20	200
THH5028XN-X/808-904MHz	808-904	0.8	40	1.25	200



THH5028XN-X/820-865MHz	820-865	0.6	46	1.20	200
THH5028XN-X/820-880MHz	820-880	0.6	46	1.20	200
THH5028XN-X/824-849MHz	824-849	0.6	46	1.15	200
THH5028XN-X/830-940MHz	830-940	0.8	40	1.25	200
THH5028XN-X/832-842MHz	832-842	0.6	46	1.20	200
THH5028XN-X/832-862MHz	832-862	0.6	46	1.20	200
THH5028XN-X/840-870MHz	840-870	0.6	46	1.20	200
THH5028XN-X/840-894MHz	840-894	0.6	46	1.20	200
THH5028XN-X/850-870MHz	850-870	0.6	46	1.20	200
THH5028XN-X/850-960MHz	850-960	0.8	40	1.25	200
THH5028XN-X/851-866MHz	851-866	0.6	46	1.20	200
THH5028XN-X/855-915MHz	855-915	0.6	46	1.20	200
THH5028XN-X/860-960MHz	860-960	0.8	40	1.25	200
THH5028XN-X/865-880MHz	865-880	0.6	46	1.20	200
THH5028XN-X/869-894MHz	869-894	0.6	46	1.20	200
THH5028XN-X/870-880MHz	870-880	0.6	46	1.20	200
THH5028XN-X/870-940MHz	870-940	0.8	40	1.25	200
THH5028XN-X/890-915MHz	890-915	0.6	46	1.20	200
THH5028XN-X/880-915MHz	880-915	0.6	46	1.20	200
THH5028XN-X/880-940MHz	880-940	0.6	46	1.20	200
THH5028XN-X/885-915MHz	885-915	0.6	46	1.20	200
THH5028XN-X/900-928MHz	900-928	0.6	46	1.20	200
THH5028XN-X/902-928MHz	902-928	0.5	50	1.15	200
THH5028XN-X/920-960MHz	920-960	0.6	46	1.20	200
THH5028XN-X/925-960MHz	925-960	0.6	46	1.20	200
THH5028XN-X/869-894MHz	869-894	0.6	46	1.20	200
THH5028XN-X/870-960MHz	870-960	0.8	40	1.25	200
THH5028XN-X/925-960MHz	925-960	0.6	46	1.20	200
THH5028XN-X/950-115MHz	950-1150	0.8	40	1.25	200



THH5028XN-X/960-1215MHz	960-1215	1.0	36	1.30	200
THH5028XN-X/1000-1100MHz	1000-1100	0.6	46	1.20	200
THH5028XN-X/1010-1050MHz	1010-1050	0.6	46	1.20	200
THH5028XN-X/1020-1100MHz	1020-1100	0.6	46	1.20	200
THH5028XN-X/1030-1039MHz	1030-1039	0.6	46	1.20	200
THH5028XN-X/1030-1090MHz	1030-1090	0.6	46	1.20	200
THH5028XN-X/1100-1300MHz	1100-1300	0.8	40	1.25	200
THH5028XN-X/1150-1300MHz	1150-1300	0.7	40	1.25	200
THH5028XN-X/1150-1350MHz	1150-1350	0.8	40	1.25	200
THH5028XN-X/1175-1225MHz	1175-1225	0.6	46	1.20	200
THH5028XN-X/1195-1295MHz	1195-1295	0.6	46	1.20	200
THH5028XN-X/1200-1300MHz	1200-1300	0.6	46	1.20	200
THH5028XN-X/1200-1400MHz	1200-1400	0.7	40	1.25	200
THH5028XN-X/1250-1280MHz	1250-1280	0.6	46	1.20	200
THH5028XN-X/1250-1350MHz	1250-1350	0.6	46	1.20	200
THH5028XN-X/1290-1310MHz	1290-1310	0.5	50	1.15	200
THH5028XN-X/1325-1375MHz	1325-1375	0.5	50	1.15	200
THH5028XN-X/1325-1425MHz	1325-1425	0.6	46	1.20	200
THH5028XN-X/1350-1550MHz	1350-1550	0.7	40	1.25	200
THH5028XN-X/1400-1500MHz	1400-1500	0.6	46	1.20	200
THH5028XN-X/1400-1600MHz	1400-1600	0.7	40	1.25	200
THH5028XN-X/1420-1460MHz	1420-1460	0.6	46	1.20	200
THH5028XN-X/1429-1518MHz	1429-1518	0.6	46	1.20	200
THH5028XN-X/1440-1470MHz	1440-1470	0.6	46	1.20	200
THH5028XN-X/1450-1550MHz	1450-1550	0.6	46	1.20	200
THH5028XN-X/1500-1600MHz	1500-1600	0.6	46	1.20	200
THH5028XN-X/1500-1700MHz	1500-1700	0.7	40	1.25	200
THH5028XN-X/1500-1900MHz	1500-1900	0.9	40	1.25	200
THH5028XN-X/1500-2000MHz	1500-2000	1.2	34	1.35	200



THH5028XN-X/1515-1560MHz	1515-1560	0.6	46	1.20	200
THH5028XN-X/1530-1630MHz	1530-1630	0.6	46	1.20	200
THH5028XN-X/1550-1620MHz	1550-1620	0.6	46	1.20	200
THH5028XN-X/1570-1620MHz	1570-1620	0.6	46	1.20	200
THH5028XN-X/1600-2000MHz	1600-2000	1.0	36	1.30	200
THH5028XN-X/1606-1626MHz	1606-1626	0.3	50	1.15	200
THH5028XN-X/1650-1850MHz	1650-1850	0.7	40	1.25	200
THH5028XN-X/1700-1900MHz	1700-1900	0.7	40	1.25	200
THH5028XN-X/1700-2100MHz	1700-2100	0.8	40	1.25	200
THH5028XN-X/1700-2200MHz	1700-2200	1.0	38	1.25	200
THH5028XN-X/1700-2300MHz	1700-2300	1.2	36	1.30	200
THH5028XN-X/1710-1785MHz	1710-1785	0.6	46	1.20	200
THH5028XN-X/1800-1850MHz	1800-1850	0.6	46	1.20	200
THH5028XN-X/1800-2000MHz	1800-2000	0.7	40	1.25	200
THH5028XN-X/1800-2200MHz	1800-2200	0.8	40	1.25	200
THH5028XN-X/1800-2400MHz	1800-2400	1.0	36	1.30	200
THH5028XN-X/1850-1900MHz	1850-1900	0.6	46	1.20	200
THH5028XN-X/1880-1920MHz	1880-1920	0.6	46	1.20	200
THH5028XN-X/1900-2200MHz	1900-2200	0.7	40	1.25	200
THH5028XN-X/1920-1980MHz	1920-1980	0.6	46	1.20	200
THH5028XN-X/2000-2400MHz	2000-2400	0.8	40	1.25	200
THH5028XN-X/2000-2500MHz	2000-2500	1.0	36	1.30	200
THH5028XN-X/2000-2600MHz	2000-2600	1.0	36	1.30	200
THH5028XN-X/2000-2700MHz	2000-2700	1.2	32	1.40	200
THH5028XN-X/2010-2300MHz	2010-2300	0.7	40	1.20	200
THH5028XN-X/2100-2170MHz	2100-2170	0.6	46	1.20	200
THH5028XN-X/2100-2500MHz	2100-2500	0.8	40	1.25	200
THH5028XN-X/2110-2170MHz	2110-2170	0.6	46	1.20	200
THH5028XN-X/2200-2300MHz	2200-2300	0.6	46	1.20	200



THH5028XN-X/2200-2500MHz	2200-2500	0.7	40	1.20	200
THH5028XN-X/2300-2400MHz	2300-2400	0.6	46	1.20	200
THH5028XN-X/2300-2500MHz	2300-2500	0.8	40	1.20	200
THH5028XN-X/2300-3000MHz	2300-3000	1.0	36	1.30	200
THH5028XN-X/2400-2500MHz	2400-2500	0.6	46	1.20	200
THH5028XN-X/2400-2600MHz	2400-2600	0.6	40	1.20	200
THH5028XN-X/2400-2700MHz	2400-2700	0.7	40	1.25	200
THH5028XN-X/2450-2470MHz	2450-2470	0.3	50	1.15	200
THH5028XN-X/2480-2500MHz	2480-2500	0.3	50	1.15	200
THH5028XN-X/2500-2700MHz	2500-2700	0.6	40	1.20	200
THH5028XN-X/2555-2655MHz	2555-2655	0.6	46	1.20	200
THH5028XN-X/2600-2690MHz	2600-2690	0.6	46	1.20	200
THH5028XN-X/2600-2800MHz	2600-2800	0.6	40	1.20	200
THH5028XN-X/2600-3000MHz	2600-3000	1.0	36	1.30	200
THH5028XN-X/2600-3300MHz	2600-3300	1.2	34	1.35	200
THH5028XN-X/2700-2900MHz	2700-2900	0.6	40	1.20	200
THH5028XN-X/2700-3100MHz	2700-3100	0.8	40	1.25	200
THH5028XN-X/2750-3150MHz	2750-3150	0.8	40	1.25	200
THH5028XN-X/2800-3200MHz	2800-3200	0.8	40	1.25	200
THH5028XN-X/2850-2860MHz	2850-2860	0.6	46	1.15	200
THH5028XN-X/2850-3300MHz	2850-3300	0.8	40	1.25	200
THH5028XN-X/2900-3100MHz	2900-3100	0.6	40	1.20	200
THH5028XN-X/2900-3300MHz	2900-3300	0.8	40	1.25	200
THH5028XN-X/2900-3500MHz	2900-3500	0.9	40	1.25	200
THH5028XN-X/3000-3600MHz	3000-3600	0.8	40	1.25	200
THH5028XN-X 3100-3400MHz	3100-3400	0.6	40	1.20	200
THH5028XN-X 3100-3500MHz	3100-3500	0.8	40	1.25	200
THH5028XN-X 3200-3700MHz	3200-3700	0.8	40	1.25	200
THH5028XN-X 3300-3600MHz	3300-3600	0.6	40	1.20	200



THH5028XN-X 3400-3600MHz	3400-3600	0.6	40	1.20	200
THH5028XN-X 3400-4200MHz	3400-4200	1.0	38	1.25	200
THH5028XN-X 3500-4000MHz	3500-4000	0.8	40	1.25	200
THH5028XN-X 3550-3650MHz	3550-3650	0.6	46	1.20	200
THH5028XN-X 3600-3800MHz	3600-3800	0.6	46	1.20	200
THH5028XN-X 3600-4000MHz	3600-4000	0.6	40	1.25	200
THH5028XN-X 3700-3900MHz	3700-3900	0.6	46	1.20	200
THH5028XN-X 3750-4250MHz	3750-4250	0.9	38	1.25	200
THH5028XN-X 4000-4600MHz	4000-4600	0.8	40	1.25	200
THH5028XN-X 4400-5000MHz	4400-5000	0.8	40	1.25	200

**If the frequency range you need is not covered in the form.
Please contact us for details.**