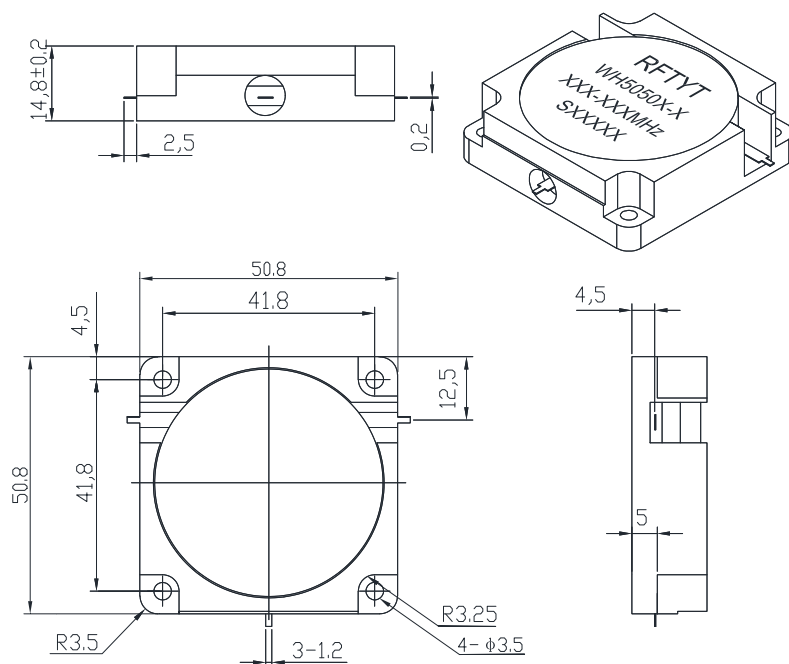


## 160 to 330MHz Drop in Circulator

### WH5050X Strip Line Type

#### Outline Drawing (mm):



#### Features:

- ◇ Good temperature stability
- ◇ Withstand high power
- ◇ RoHS compliant
- ◇ Weight : ≈220 g

#### Material list:

- ◇ Shell: easy to cut iron plated nickel
- ◇ Inner conductor: silver plated brass

#### Application:

- ◇ Rf amplifier final stage, protect the amplifier
- ◇ Common transceiver antenna
- ◇ Digital communication
- ◇ Satellite communication
- ◇ Mobile communication

#### Order Examples:

**WH 5050 X - 1-xx / xxx-xxx MHz**

Drop in Circulator

Package Size (W\*L)

Cavity structure

Frequency Range

Average Power (<100W Default)

-1 : Clockwise

-2 : Anticlockwise



#### Basic Specifications:

Impedance	50 Ω
Operating temperature	-30~+70°C/-40~+85 °C
Storage temperature	-50~+90 °C
Size(mm)	50.8*50.8*14.8

### Specifications:

<b>Model No</b> (X=1: →Clockwise) (X=2: ←Anticlockwise)	<b>Freq. Range</b> <b>MHz</b>	<b>Insertion Loss</b> <b>dB (max)</b>	<b>Isolation dB</b> <b>(min)</b>	<b>VSWR</b> <b>(max)</b>	<b>Power</b> <b>W</b>
WH5050X-X/160-166MHz	160-166	0.70	20.0	1.25	300
WH5050X-X/160-170MHz	160-170	0.90	18.0	1.30	300
WH5050X-X/180-184MHz	180-184	0.50	20.0	1.20	300
WH5050X-X/192-232MHz	192-232	0.60	18.0	1.30	300
WH5050X-X/200-210MHz	200-210	0.40	23.0	1.20	300
WH5050X-X/200-220MHz	200-220	0.40	20.0	1.25	300
WH5050X-X/215-223MHz	215-223	0.40	23.0	1.20	300
WH5050X-X/217-223MHz	217-223	0.40	23.0	1.20	300
WH5050X-X/220-240MHz	220-240	0.40	20.0	1.25	300
WH5050X-X/223-233MHz	223-233	0.40	23.0	1.20	300
WH5050X-X/225-270MHz	225-270	0.60	19.0	1.25	300
WH5050X-X/230-240MHz	230-240	0.40	23.0	1.20	300
WH5050X-X/235-255MHz	235-255	0.40	20.0	1.25	300
WH5050X-X/260-270MHz	260-270	0.30	23.0	1.20	300
WH5050X-X/260-330MHz	260-330	0.40	20.0	1.25	300

### Instructions:

- 1, The circulator only provides through power, indicating that the transmission to the antenna and the antenna to the receiving are through power;
- 2, Only some common frequencies in the table, can be produced according to user requirements;
- 3, Embedded isolator, please use stainless steel or brass screws when installing;
- 4, If you do not find what you are looking for, please contact us!