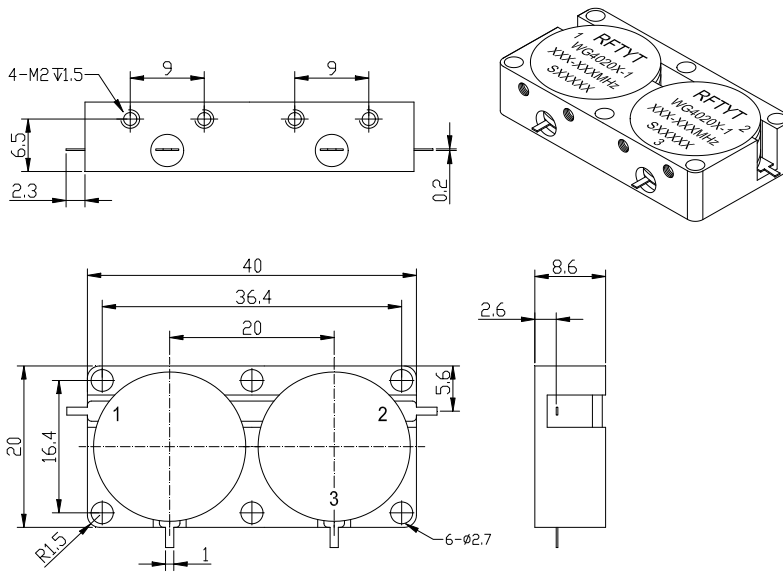


## 600 to 2700MHz Dual Junction Drop in Circulator

WHH4020X Strip line Type

Outline Drawing (mm): 



### Features:

- ◇ Good temperature stability
- ◇ Withstand high power
- ◇ RoHS compliant
- ◇ Weight : ≈ g

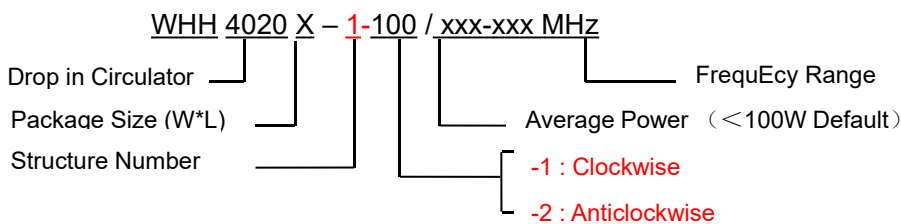
### Material list:

- ◇ Shell: Steel
- Coating: Bright Nickel
- ◇ Inner conductor: Brass
- Coating: Silver

### Application:

- ◇ Protect WHe power amplifier and Installed at WHe Ed of RF power amplifier
- ◇ Transceiver common antEna
- ◇ Medical,Communication,Security
- VHF

### Order Examples:



### Connector Type:

S Type Connector Options					N Type Connector Options				
Port 1	Port 2	Port 3	Port 4	Abbreviation	Port 1	Port 2	Port 3	Port 4	Abbreviation
Female	Female	Female	Female	S	Female	Female	Female	Female	N
Female	Male	Male	Male	SKJJJ	Female	Male	Male		NKJJ
Male	Female	Female	Female	SJKKK	Male	Female	Male		NJKJ
Female	Female	Male	Male	SKKJJ	Female	Female	Male		NKKJ
Male	Male	Male	Male	SJ	Male	Male	Male		NJ

### Basic Specifications :

Impedance	50 $\Omega$
Connector Type	Strip line
Size(mm)	50.8*25.4*10.0
Operating Temp	-30~+70℃/-40~+85℃
Storage temperature	-50~+90 ℃

### Specifications :

Model No. (X=1: →Clockwise) (X=2: ←Anticlockwise)	Freq. Range MHz	IL. dB (max)	Isolation dB (min)	VSWR (max)	Forward Power W
WHH4020X-X/700-750MHz	700-750	0.8	40	1.25	100
WHH4020X-X/750-800MHz	750-800	0.8	40	1.25	100
WHH4020X-X/800-850MHz	800-850	0.8	40	1.25	100
WHH4020X-X/850-855MHz	850-855	0.6	46	1.20	100
WHH4020X-X/900-920MHz	900-920	0.6	46	1.20	100
WHH4020X-X/925-960MHz	925-960	0.7	46	1.20	100
WHH4020X-X/1000-1200MHz	1000-1200	1.0	36	1.3	100
WHH4020X-X/1030-1090MHz	1030-1090	0.7	40	1.20	100
WHH4020X-X/1070-1210MHz	1070-1210	1.0	36	1.30	100
WHH4020X-X/1100-1300MHz	1100-1300	1.0	36	1.30	100
WHH4020X-X/1200-1400MHz	1200-1400	1.0	38	1.25	100
WHH4020X-X/1250-1450MHz	1250-1450	0.8	40	1.25	100
WHH4020X-X/1325-1375MHz	1325-1375	0.6	46	1.20	100
WHH4020X-X/1450-1550MHz	1450-1550	0.6	46	1.20	100
WHH4020X-X/1500-1700MHz	1500-1700	0.8	40	1.25	100
WHH4020X-X/1550-1650MHz	1550-1650	0.6	46	1.20	100
WHH4020X-X/1626-1660MHz	1626-1660	0.6	46	1.20	100
WHH4020X-X/1700-1900MHz	1700-1900	0.8	40	1.25	100
WHH4020X-X/1700-2000MHz	1700-2000	0.8	38	1.25	100
WHH4020X-X/1710-1785MHz	1710-1785	0.6	46	1.20	100



WHH4020X-X/1710-2170MHz	1710-2170	1.0	36	1.30	100
WHH4020X-X/1800-2400MHz	1800-2400	1.2	36	1.30	100
WHH4020X-X/1805-1880MHz	1805-1880	0.6	46	1.20	100
WHH4020X-X/1805-2117MHz	1805-2117	0.8	40	1.25	100
WHH4020X-X/1920-1990MHz	1920-1990	0.6	46	1.20	100
WHH4020X-X/2000-2200MHz	2000-2200	0.8	40	1.20	100
WHH4020X-X/2000-2400MHz	2000-2400	1.0	36	1.3	100
WHH4020X-X/2100-2700MHz	2100-2700	1.0	36	1.35	100
WHH4020X-X/2110-2170MHz	2110-2170	0.6	46	1.20	100
WHH4020X-X/2135-2365MHz	2135-2365	0.8	40	1.25	100
WHH4020X-X/2200-2300MHz	2200-2300	0.6	46	1.20	100
WHH4020X-X/2200-2400MHz	2200-2400	0.8	40	1.20	100
WHH4020X-X/2200-2500MHz	2200-2500	0.8	40	1.25	100
WHH4020X-X/2300-2400MHz	2300-2400	0.6	46	1.20	100
WHH4020X-X/2300-2500MHz	2300-2500	0.8	40	1.20	100
WHH4020X-X/2300-2700MHz	2300-2700	0.8	40	1.20	100
WHH4020X-X/2400-2600MHz	2400-2600	0.8	40	1.20	100
WHH4020X-X/2496-2690MHz	2496-2690	0.8	40	1.20	100
WHH4020X-X/2500-2700MHz	2500-2700	0.8	40	1.20	100

**If the frequency range you need is not covered in the form.  
Please contact us for details.**