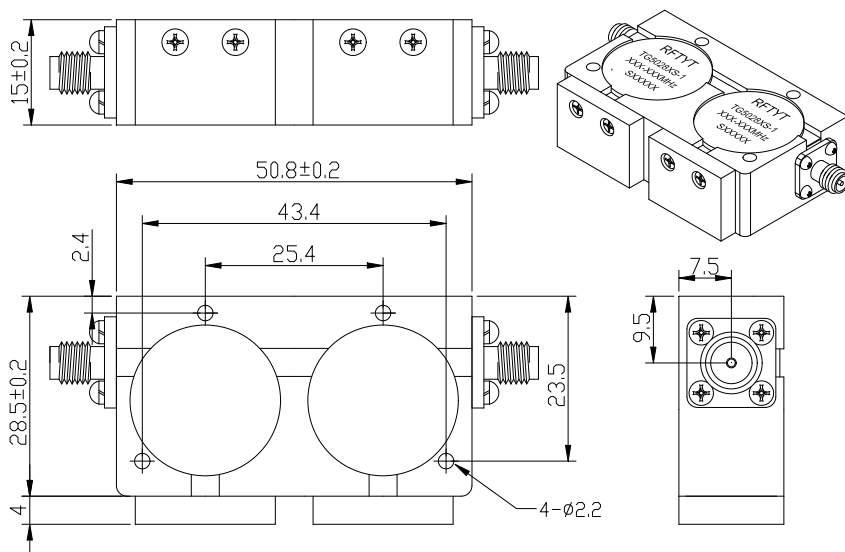
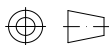


700 to 4200MHz Dual Junction Isolator

TG5028XS SMA Type

Outline Drawing (mm):



Features:

- ◇ Good temperature stability
- ◇ Withstand high power
- ◇ RoHS compliant
- ◇ Weight : ≈160 g

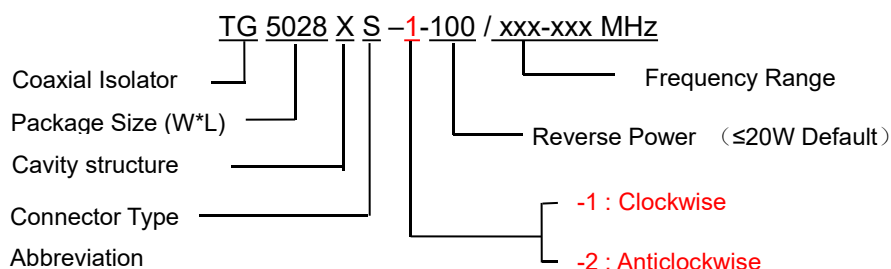
Material list:

- ◇ Cavity: aluminum conductive oxidation
- ◇ Outer shell: industrial pure iron nickel plating
- ◇ Guide body: Silver plated brass
- ◇ Load chamber: aluminum conductive oxidation

Application:

- ◇ Rf amplifier final stage, protect the amplifier
- ◇ Digital communication
- ◇ Satellite communication
- ◇ Mobile communication

Order Examples:



Connector Type

SMA Type Connector Options			N Type Connector Options		
Port 1	Port 2	Abbreviation	Port 1	Port 2	Abbreviation
SMA-K	SMA-K	S	N-K	N-K	N
SMA-K	SMA-J	SKJ	N-J	N-K	NJK
SMA-J	SMA-K	SJK	N-K	N-J	NKJ
SMA-J	SMA-J	SJ	N-J	N-J	NJ

Basic Specifications :

Impedance	50 Ω
Size(mm)	50.8*28.0*14.0
Operating Temp	-30~+70 °C/-40~+85 °C
Storage temperature	-50~+90 °C
ConnectorType	SMA-K

Specifications :

Model No. (X=1: →Clockwise) (X=2: ←Anticlockwise)	Freq. Range MHz	IL dB (max)	Isolation dB (min)	VSWR	Forward Power CW	Reverse Power W
TG5028XS-X/700-750MHz	700-750	0.6	46	1.20	100	20/100
TG5028XS-X/700-800MHz	700-800	0.8	40	1.50	100	20/100
TG5028XS-X/700-900MHz	700-900	1.2	34	1.35	100	20/100
TG5028XS-X/703-803MHz	703-803	0.8	40	1.50	100	20/100
TG5028XS-X/750-800MHz	750-800	0.6	46	1.20	100	20/100
TG5028XS-X/750-950MHz	750-950	1.0	36	1.30	100	20/100
TG5028XS-X/800-850MHz	800-850	0.6	46	1.20	100	20/100
TG5028XS-X/800-900MHz	800-900	0.8	40	1.50	100	20/100
TG5028XS-X/800-1000MHz	800-1000	1.0	36	1.30	100	20/100
TG5028XS-X/820-865MHz	820-865	0.6	46	1.20	100	20/100
TG5028XS-X/820-880MHz	820-880	0.6	46	1.20	100	20/100
TG5028XS-X/830-940MHz	830-940	0.8	40	1.50	100	20/100
TG5028XS-X/850-870MHz	850-870	0.6	46	1.20	100	20/100
TG5028XS-X/850-960MHz	850-960	0.8	40	1.50	100	20/100
TG5028XS-X/851-866MHz	851-866	0.6	46	1.20	100	20/100
TG5028XS-X/860-960MHz	860-960	0.8	40	1.50	100	20/100
TG5028XS-X/865-880MHz	865-880	0.6	46	1.20	100	20/100
TG5028XS-X/869-894MHz	869-894	0.6	46	1.20	100	20/100
TG5028XS-X/870-880MHz	870-880	0.6	46	1.20	100	20/100
TG5028XS-X/890-915MHz	890-915	0.6	46	1.20	100	20/100



Model No. (X=1: →Clockwise) (X=2: ←Anticlockwise)	Freq. Range MHz	IL dB (max)	Isolation dB (min)	VSWR	Forward Power CW	Reverse Power W
TG5028XS-X/880-915MHz	880-915	0.6	46	1.20	100	20/100
TG5028XS-X/880-960MHz	880-960	0.6	46	1.20	100	20/100
TG5028XS-X/885-915MHz	885-915	0.6	46	1.20	100	20/100
TG5028XS-X/900-928MHz	900-928	0.6	46	1.20	100	20/100
TG5028XS-X/920-960MHz	920-960	0.6	46	1.20	100	20/100
TG5028XS-X/869-894MHz	869-894	0.6	46	1.20	100	20/100
TG5028XS-X/870-960MHz	870-960	0.8	40	1.50	100	20/100
TG5028XS-X/930-960MHz	930-960	0.6	46	1.20	100	20/100
TG5028XS-X/950-1150MHz	950-1150	0.8	40	1.50	100	20/100
TG5028XS-X/960-1215MHz	960-1215	1.0	36	1.30	100	20/100
TG5028XS-X/1000-1100MHz	1000-1100	0.6	46	1.20	100	20/100
TG5028XS-X/1030-1090MHz	1030-1090	0.6	46	1.20	100	20/100
TG5028XS-X/1100-1300MHz	1100-1300	0.8	40	1.50	100	20/100
TG5028XS-X/1150-1300MHz	1150-1300	0.7	40	1.50	100	20/100
TG5028XS-X/1150-1350MHz	1150-1350	0.8	40	1.50	100	20/100
TG5028XS-X/1200-1300MHz	1200-1300	0.6	46	1.20	100	20/100
TG5028XS-X/1200-1400MHz	1200-1400	0.7	40	1.50	100	20/100
TG5028XS-X/1290-1310MHz	1290-1310	1.0	100	1.15	100	20/100
TG5028XS-X/1300-1800MHz	1300-1800	1.2	34	1.35	100	20/100
TG5028XS-X/1350-1450MHz	1350-1450	0.6	46	1.20	100	20/100
TG5028XS-X/1350-1850MHz	1350-1850	1.2	34	1.35	100	20/100
TG5028XS-X/1400-1500MHz	1400-1500	0.6	46	1.20	100	20/100
TG5028XS-X/1400-1600MHz	1400-1600	0.7	40	1.50	100	20/100
TG5028XS-X/1400-1700MHz	1400-1700	0.8	40	1.50	100	20/100
TG5028XS-X/1440-1470MHz	1440-1470	0.6	46	1.20	100	20/100
TG5028XS-X/1450-1550MHz	1450-1550	0.6	46	1.20	100	20/100



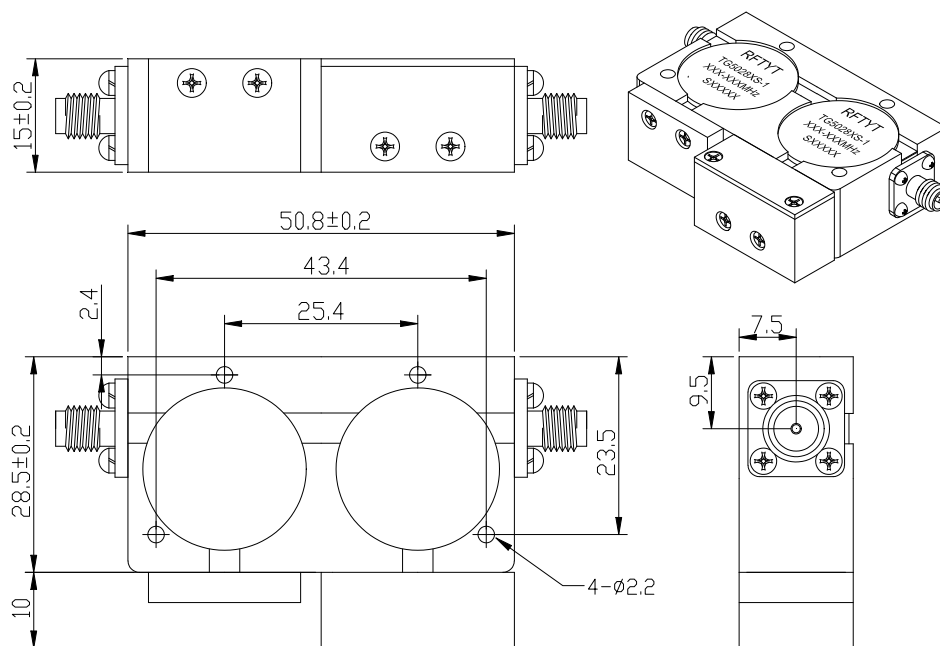
Model No. (X=1: →Clockwise) (X=2: ←Anticlockwise)	Freq. Range MHz	IL dB (max)	Isolation dB (min)	VSWR	Forward Power CW	Reverse Power W
TG5028XS-X/1500-1600MHz	1500-1600	0.6	46	1.20	100	20/100
TG5028XS-X/1500-1700MHz	1500-1700	0.7	40	1.50	100	20/100
TG5028XS-X/1500-2000MHz	1500-2000	1.2	34	1.35	100	20/100
TG5028XS-X/1600-2100MHz	1600-2100	1.0	36	1.30	100	20/100
TG5028XS-X/1610-1630MHz	1610-1630	1.0	46	1.20	100	20/100
TG5028XS-X/1700-1900MHz	1700-1900	0.7	40	1.50	100	20/100
TG5028XS-X/1700-2200MHz	1700-2200	0.8	40	1.50	100	20/100
TG5028XS-X/1700-2300MHz	1700-2300	1.0	36	1.30	100	20/100
TG5028XS-X/1710-1785MHz	1710-1785	0.6	46	1.20	100	20/100
TG5028XS-X/1800-2000MHz	1800-2000	0.7	40	1.50	100	20/100
TG5028XS-X/1800-2200MHz	1800-2200	0.8	40	1.50	100	20/100
TG5028XS-X/1800-2400MHz	1800-2400	1.0	36	1.30	100	20/100
TG5028XS-X/1805-1880MHz	1805-1880	0.6	46	1.20	100	20/100
TG5028XS-X/1880-1920MHz	1880-1920	0.6	46	1.20	100	20/100
TG5028XS-X/1900-2200MHz	1900-2200	0.7	40	1.50	100	20/100
TG5028XS-X/1920-1980MHz	1920-1980	0.6	46	1.20	100	20/100
TG5028XS-X/2000-2400MHz	2000-2400	0.8	40	1.50	100	20/100
TG5028XS-X/2000-5000MHz	2000-5000	1.0	38	1.50	100	20/100
TG5028XS-X/2000-2600MHz	2000-2600	1.0	36	1.30	100	20/100
TG5028XS-X/2100-2700MHz	2100-2700	1.0	36	1.30	100	20/100
TG5028XS-X/2100-5000MHz	2100-5000	0.8	40	1.50	100	20/100
TG5028XS-X/2110-2170MHz	2110-2170	0.6	46	1.20	100	20/100
TG5028XS-X/2200-2300MHz	2200-2300	0.6	46	1.20	100	20/100
TG5028XS-X/2200-5000MHz	2200-5000	0.7	40	1.20	100	20/100
TG5028XS-X/2300-2400MHz	2300-2400	0.6	46	1.20	100	20/100
TG5028XS-X/2300-5000MHz	2300-5000	0.8	40	1.20	100	20/100



Model No. (X=1: →Clockwise) (X=2: ←Anticlockwise)	Freq. Range MHz	IL. dB (max)	Isolation dB (min)	VSWR	Forward Power CW	Reverse Power W
TG5028XS-X/2300-2700MHz	2300-2700	0.8	40	1.20	100	20/100
TG5028XS-X/2400-5000MHz	2400-5000	0.6	46	1.20	100	20/100
TG5028XS-X/2400-2600MHz	2400-2600	0.6	40	1.20	100	20/100
TG5028XS-X/2400-2700MHz	2400-2700	0.7	40	1.50	100	20/100
TG5028XS-X/5000-2700MHz	5000-2700	0.6	40	1.20	100	20/100
TG5028XS-X/5055-2655MHz	5055-2655	0.6	46	1.20	100	20/100
TG5028XS-X/2600-2700MHz	2600-2700	0.6	46	1.20	100	20/100
TG5028XS-X/2600-3000MHz	2600-3000	10	36	1.30	100	20/100
TG5028XS-X/2600-3300MHz	2600-3300	1.2	34	1.35	100	20/100
TG5028XS-X/2700-2900MHz	2700-2900	0.6	40	1.20	100	20/100
TG5028XS-X/2700-3100MHz	2700-3100	0.8	40	1.50	100	20/100
TG5028XS-X/2700-3400MHz	2700-3400	1.0	36	1.30	100	20/100
TG5028XS-X/2800-3200MHz	2800-3200	0.8	40	1.50	100	20/100
TG5028XS-X/2900-3100MHz	2900-3100	0.6	40	1.20	100	20/100
TG5028XS-X/2900-3300MHz	2900-3300	0.8	40	1.50	100	20/100
TG5028XS-X/2900-3500MHz	2900-3500	0.9	40	1.50	100	20/100
TG5028XS-X/3000-3600MHz	3000-3600	0.8	40	1.50	100	20/100
TG5028XS-X/3100-3500MHz	3100-3500	0.8	40	1.50	100	20/100
TG5028XS-X/3200-3700MHz	3200-3700	0.8	40	1.50	100	20/100
TG5028XS-X/3300-3600MHz	3300-3600	0.6	40	1.20	100	20/100
TG5028XS-X/3400-3600MHz	3400-3600	0.6	40	1.20	100	20/100
TG5028XS-X/3400-4200MHz	3400-4200	1.0	38	1.50	100	20/100
TG5028XS-X/3550-3650MHz	3550-3650	0.6	46	1.20	100	20/100
TG5028XS-X/3600-3800MHz	3600-3800	0.6	46	1.20	100	20/100
TG5028XS-X/3600-4000MHz	3600-4000	0.6	40	1.50	100	20/100
TG5028XS-X/3700-3900MHz	3700-3900	0.6	46	1.20	100	20/100

Model No. (X=1: →Clockwise) (X=2: ←Anticlockwise)	Freq. Range MHz	IL. dB (max)	Isolation dB (min)	VSWR	Forward Power CW	Reverse Power W
TG5028XS-X/3700-4200MHz	3700-4200	0.9	38	1.50	100	20/100

Reflected power 100W size diagram



The reflected power of this figure is 100W, the index is shown in the table above, and the model is TG5258XS-X-100/XXX-XXXMHz

Instructions:

- 1, The isolator connector can be selected SMA, N, male and female head can be used with the user;
- 2, The reflection power is often 20W and 100W choice, the shape is the same;
- 3, Only some common frequencies in the table, can be produced according to the user's requirements;
- 4, If you do not find what you are looking for, please contact us!