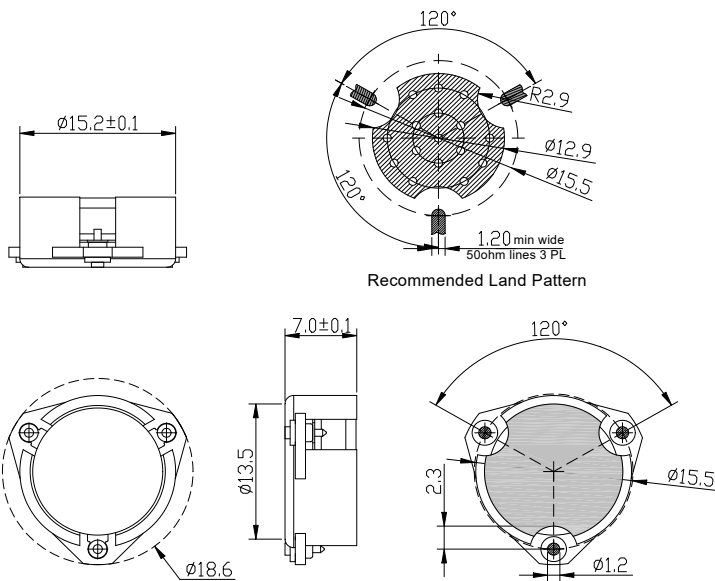


## 1000 to 5000MHz Surface Mount Circulator

### SMTH-D15 SMT

Outline Drawing (mm): 



#### Features:

- ◇ Good temperature stability
- ◇ Withstand high power
- ◇ RoHS compliant
- ◇ Weight :  $\approx$  5 g

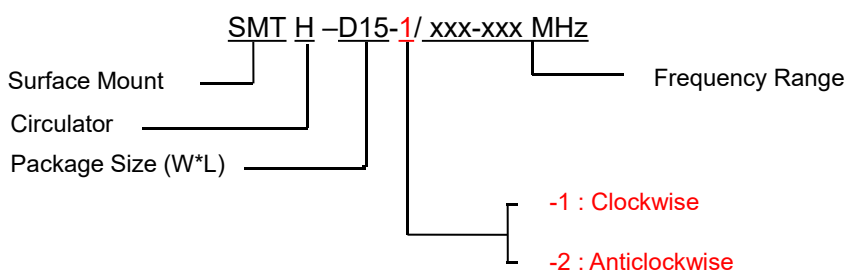
#### Material list:

- ◇ Shell: industrial pure iron silvered
- ◇ Inner conductor: silver plated brass

#### Application:

- ◇ Rf amplifier final stage, protect the amplifier
- ◇ Common transceiver antenna
- ◇ Digital communication
- ◇ Satellite communication
- ◇ Mobile communication

#### Order Examples :



#### Basic Specifications :

Impedance	50 $\Omega$
Size(mm)	$\Phi$ 12.5*7.0
Operating Temp	-40~+85 $^{\circ}$ C
Storage temperature	-50~+90 $^{\circ}$ C
ConnectorType	SMT

### Specifications:

<b>Model No.</b> (X=1: →Clockwise) (X=2: ←Anticlockwise)	<b>Freq. Range</b> <b>MHz</b>	<b>IL.</b> <b>dB (max)</b>	<b>Isolation</b> <b>dB (min)</b>	<b>VSWR</b>	<b>Power</b> <b>CW</b>
SMTH-D15-X/1000-1080MHz	1000-1080	0.50	20.0	1.25	60
SMTH-D15-X/1240-1260MHz	1240-1260	0.40	20.0	1.25	60
SMTH-D15-X/1350-1410MHz	1350-1410	0.40	20.0	1.25	60
SMTH-D15-X/1800-1870MHz	1800-1870	0.30	23.0	1.20	60
SMTH-D15-X/2400-2600MHz	2400-2600	0.40	20.0	1.25	60
SMTH-D15-X/3100-3400MHz	3100-3400	0.40	20.0	1.25	60
SMTH-D15-X/3240-3340MHz	3240-3340	0.30	23.0	1.20	60
SMTH-D15-X/3620-3630MHz	3620-3630	0.25	25.0	1.15	60
SMTH-D15-X/3650-3750MHz	3650-3750	0.30	23.0	1.20	60
SMTH-D15-X/3700-3800MHz	3700-3800	0.30	23.0	1.20	60
SMTH-D15-X/3800-4100MHz	3800-4100	0.40	20.0	1.25	60
SMTH-D15-X/4000-4100MHz	4000-4100	0.30	23.0	1.20	60
SMTH-D15-X/4200-4400MHz	4200-4400	0.30	23.0	1.20	60
SMTH-D15-X/4500-4700MHz	4500-4700	0.30	23.0	1.20	60
SMTH-D15-X/4800-5000MHz	4800-5000	0.30	23.0	1.20	60

### Instructions:

- 1, When the surface paste circulator adopts reflow welding process, the maximum temperature does not exceed 260 degrees;
- 2, The circulator only provides through power, indicating that the transmission to the antenna and the antenna to the receiving are through power;
- 3, Only some common frequencies in the table, can be produced according to the user's requirements;
- 4, If you do not find what you are looking for, please contact us!