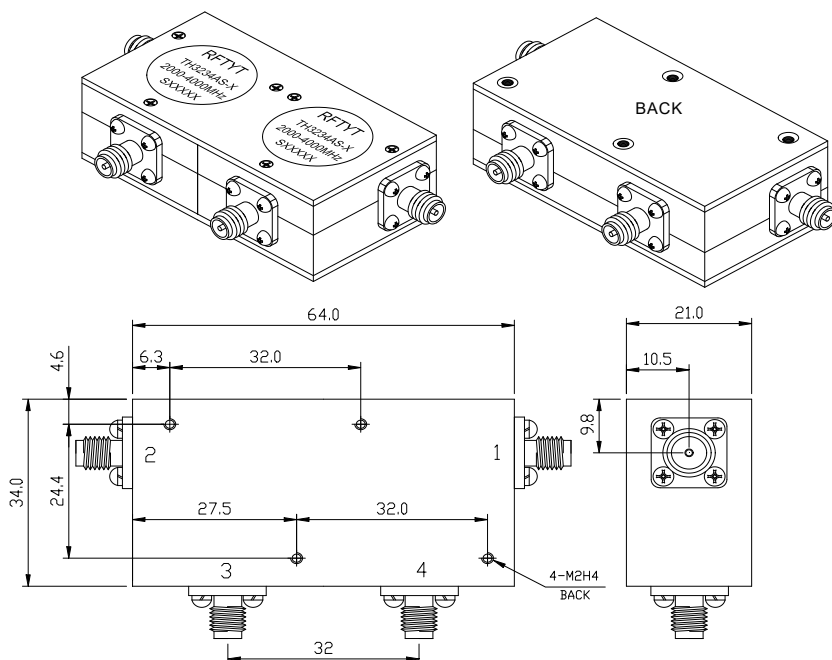
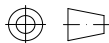


2.0 to 4.0 GHz Dual Junction Coaxial Circulator

THH6434AS SMA Type

Outline Drawing (mm):



Features:

- ◇ Good temperature stability
- ◇ Withstand high power
- ◇ RoHS compliant
- ◇ Weight : ≈ g

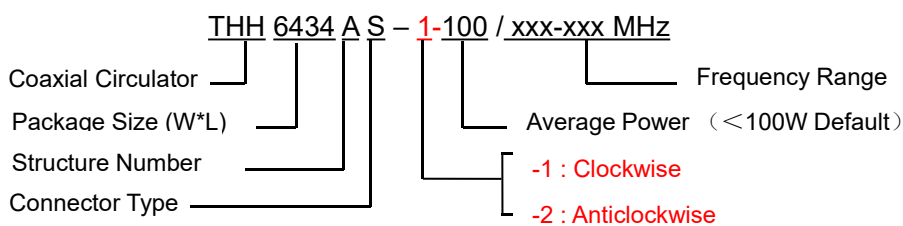
Material list:

- ◇ Shell: Steel
- Coating: Bright Nickel
- ◇ Inner conductor: Brass
- Coating: Silver

Application:

- ◇ Protect the power amplifier and
Installed at the end of RF power
amplifier
- ◇ Transceiver common antenna
- ◇ GSM1800/CDMA/TD-SCDMA/WCD
MA/EGSM/Wimax/TD-LTE/AMPS/S
MR 5G and other communication
systems

Order Examples:



Connector Type:

SMA Type Connector Options					N Type Connector Options				
Port 1	Port 2	Port 3	Port 4	Abbreviation	Port 1	Port 2	Port 3	Port 4	Abbreviation
SMA-F	SMA-F	SMA-F	SMA-F	S	N-F	N-F	N-F	N-F	N
SMA-F	SMA-M	SMA-M	SMA-M	SKJJJ	N-F	N-M	N-M	N-M	NKJJJ
SMA-M	SMA-F	SMA-F	SMA-F	SJKKK	N-M	N-F	N-F	N-F	NJKKK
SMA-F	SMA-F	SMA-M	SMA-M	SKKJJ	N-F	N-F	N-M	N-M	NKKJJ
SMA-M	SMA-M	SMA-M	SMA-M	SJ	N-M	N-M	N-M	N-M	NJ

Basic Specifications :

Impedance	50 Ω
Connector Type	SMA-F
Size(mm)	64.0*34.0*21.0
Operating Temp	-10~+60℃
Storage temperature	-30~+70 ℃

Specifications :

Model No. (X=1: →Clockwise) (X=2: ←Anticlockwise)	Freq. Range GHz	IL. dB (max)	Isolation dB (min)	VSWR (max)	Forward Power W
THH6434AS-X/2.0-2.6GHz	2.0-2.6	1.0	36	1.30	100
THH6434AS-X 2.0-2.9GHz	2.0-2.9	1.0	36	1.30	100
THH6434AS-X 2.0-3.0GHz	2.0-3.0	1.0	36	1.30	100
THH6434AS-X 2.0-3.5GHz	2.0-3.5	1.2	36	1.30	100
THH6434AS-X 2.0-4.0GHz	2.0-4.0	1.2	36	1.30	100
THH6434AS-X 2.35-4.0GHz	2.35-4.0	1.0	36	1.30	100
THH6434AS-X 2.4-4.0GHz	2.4-4.0	1.2	36	1.30	100
THH6434AS-X 2.5-3.8GHz	2.5-3.8	1.0	36	1.35	100
THH6434AS-X 2.5-3.5GHz	2.5-3.5	1.2	38	1.25	100
THH6434AS-X 2.5-4.0GHz	2.5-4.0	1.2	36	1.30	100

**If the frequency range you need is not covered in the form.
Please contact us for details.**