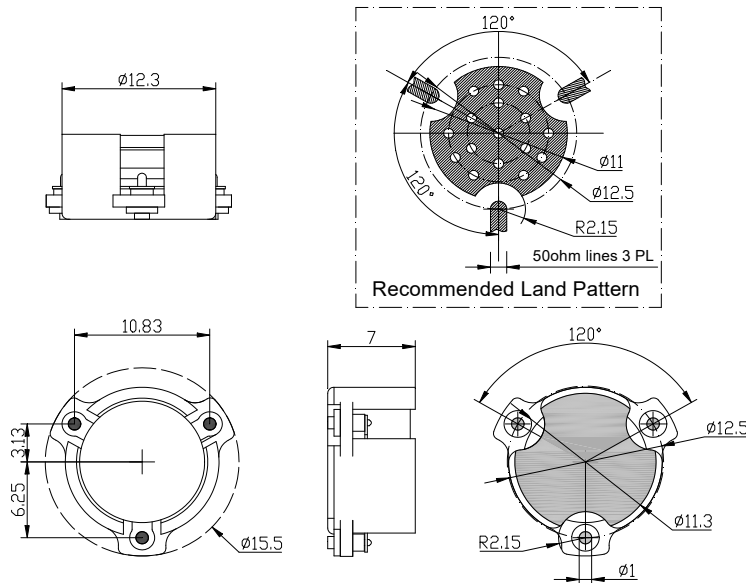


1400 to 6000MHz Surface Mount Circulator

SMTH-D12.3A SMT

Outline Drawing (mm): 



Features:

- ◇ Good temperature stability
- ◇ Withstand high power
- ◇ RoHS compliant
- ◇ Weight : ≈ 5 g

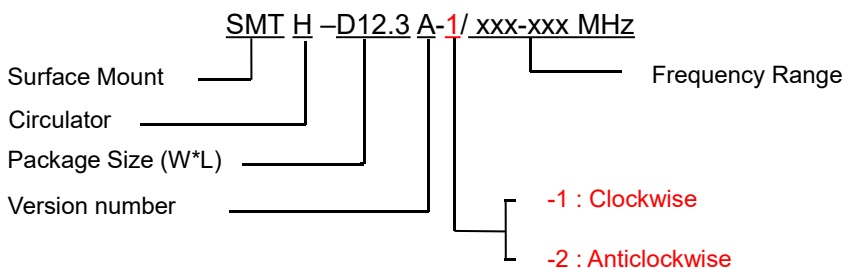
Material list:

- ◇ Shell: industrial pure iron silvered
- ◇ Inner conductor: silver plated brass

Application:

- ◇ Rf amplifier final stage, protect the amplifier
- ◇ Common transceiver antenna
- ◇ Digital communication
- ◇ Satellite communication
- ◇ Mobile communication

Order Examples:



Basic Specifications:

Impedance	50 Ω
Size(mm)	$\Phi 12.3 \times 7.0$
Operating Temp	-40~+85 $^{\circ}$ C
Storage temperature	-50~+90 $^{\circ}$ C
ConnectorType	SMT

Specifications:

Model No. (X=1: →Clockwise) (X=2: ←Anticlockwise)	Freq. Range MHz	IL. dB (max)	Isolation dB (min)	VSWR	Power CW
SMTH-D12.3A-X/1410-1470MHz	1410-1470	0.40	18	1.30	30
SMTH-D12.3A-X/1428-1448MHz	1428-1448	0.35	18	1.30	30
SMTH-D12.3A-X/1610-1620MHz	1610-1620	0.30	23	1.20	30
SMTH-D12.3A-X/1980-2010MHz	1980-2010	0.30	23	1.20	30
SMTH-D12.3A-X/2018-2122MHz	2018-2122	0.35	20	1.25	30
SMTH-D12.3A-X/2200-2300MHz	2200-2300	0.35	20	1.25	30
SMTH-D12.3A-X/2470-2520MHz	2470-2520	0.35	20	1.25	30
SMTH-D12.3A-X/2900-3300MHz	2900-3300	0.35	18.0	1.30	30
SMTH-D12.3A-X/3300-3600MHz	3300-3600	0.30	20.0	1.25	30
SMTH-D12.3A-X/5000-6000MHz	5000-6000	0.50	18.0	1.30	30
SMTH-D12.3A-X/5500-6000MHz	5500-6000	0.40	20.0	1.25	30

Instructions:

- 1, When the surface paste circulator adopts reflow welding process, the maximum temperature does not exceed 260 degrees;
- 2, The circulator only provides through power, indicating that the transmission to the antenna and the antenna to the receiving are through power;
- 3, Only some common frequencies in the table, can be produced according to the user's requirements;
- 4, If you do not find what you are looking for, please contact us!