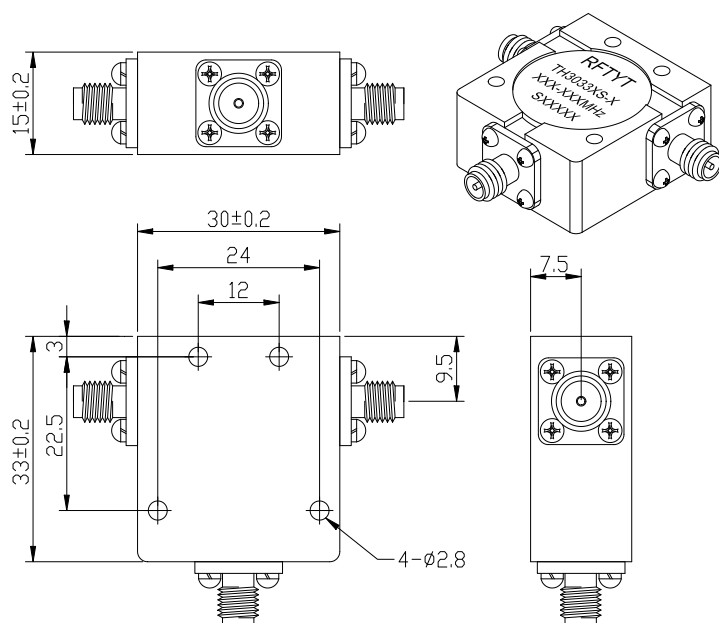
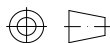


## 700 to 3000MHz Coaxial Circulator

### TH3033XS SMA Type

#### Outline Drawing (mm):



#### Features:

- ◇ Good temperature stability
- ◇ Withstand high power
- ◇ RoHS compliant
- ◇ Weight :  $\approx 104$  g

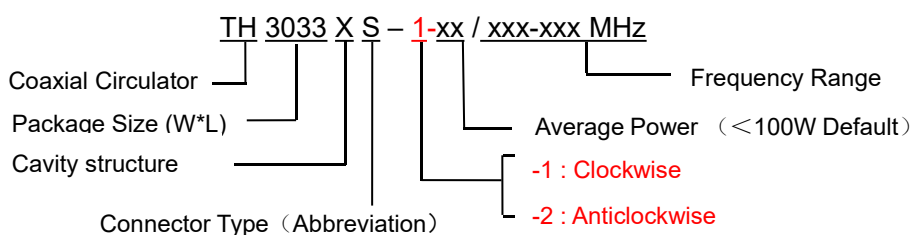
#### Material list:

- ◇ Shell: easy to cut iron plated nickel
- ◇ Inner conductor: silver plated brass
- ◇ Connector housing: gold plated brass

#### Application:

- ◇ Rf amplifier final stage, protect the amplifier
- ◇ Common transceiver antenna
- ◇ Tropospheric scatter communication
- ◇ GSM/CDMA/TD-SCDMA/WCDMA  
EGSM/Wimax/TD-LTE/AMPS/SMR  
5G and other communication systems

#### Order Examples:



#### Connector Type:

SMA Type Connector Options				N Type Connector Options			
Port 1	Port 2	Port 3	Abbreviation	Port 1	Port 2	Port 3	Abbreviation
K	K	K	S	K	K	K	N
K	J	J	SKJJ	K	J	J	NKJJ
J	K	J	SJKJ	J	K	J	NJKJ
K	K	J	SKKJ	K	K	J	NKKJ
J	J	J	SJ	J	J	J	NJ

### Basic Specifications :

Impedance	50 Ω
Forward Power	100W
Connector Type	SMA-K
Size(mm)	30.0*33.0*15.0
Operating Temp	-30~+75℃
Storage temperature	-50~+90 ℃

### Specifications :

Model No. (X=1: →Clockwise) (X=2: ←Anticlockwise)	Freq. Range MHz	IL. dB (max)	Isolation dB (min)	VSWR (max)	POWER W
TH3033XS-X/700-900MHz	700-900	0.60	18.0	1.3	100
TH3033XS-X/800-1000MHz	800-1000	0.50	18.0	1.3	100
TH3033XS-X/920-960MHz	920-960	0.30	23.0	1.20	100
TH3033XS-X/960-1215MHz	960-1215	0.40	18.0	1.30	100
TH3033XS-X/1400-1600MHz	1400-1600	0.35	20.0	1.25	100
TH3033XS-X/1700-2300MHz	1700-2300	0.50	18.0	1.30	100
TH3033XS-X/1800-2200MHz	1800-2200	0.40	20.0	1.25	100

### Instructions :

- 1, The circulator connector can be selected SMA male and female head, can be used with the user;
- 2, The circulator only provides through power, indicating that the transmission to the antenna and the antenna to the receiving are through power;
- 3, Only some common frequencies in the table, can be produced according to the user's requirements;
- 4, If you do not find what you are looking for, please contact us!