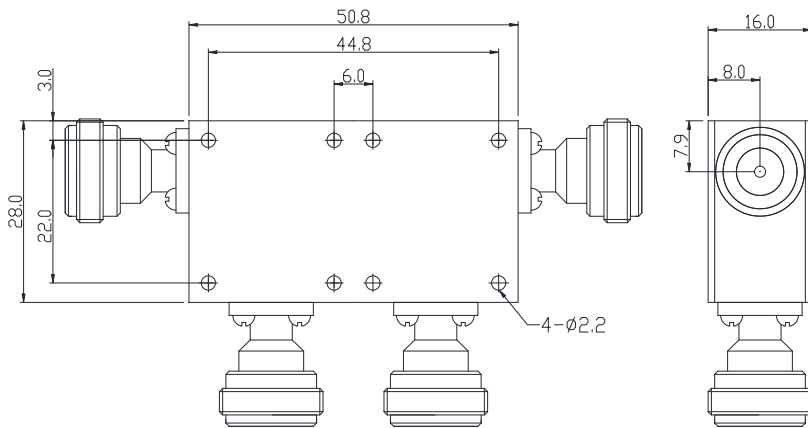


3.0 to 6.0 GHz Dual Junction Coaxial Circulator

THH5028CN N Type

Outline Drawing (mm): 



Features:

- ◇ Good temperature stability
- ◇ Withstand high power
- ◇ RoHS compliant
- ◇ Weight : ≈ g

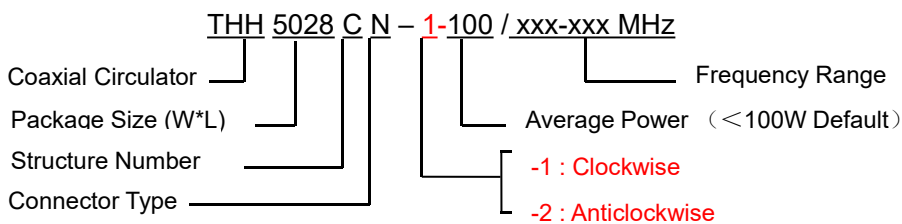
Material list:

- ◇ Shell: Steel
- Coating: Bright Nickel
- ◇ Inner conductor: Brass
- Coating: Silver

Application:

- ◇ Protect the power amplifier and
Installed at the end of RF power amplifier
- ◇ Transceiver common antenna
- ◇ GSM1800/CDMA/TD-SCDMA/WCDMA/EGSM/Wimax/TD-LTE/AMPS/SR 5G and other communication systems

Order Examples:



Connector Type:

SMA Type Connector Options					N Type Connector Options				
Port 1	Port 2	Port 3	Port 4	Abbreviation	Port 1	Port 2	Port 3	Port 4	Abbreviation
SMA-F	SMA-F	SMA-F	SMA-F	S	N-F	N-F	N-F	N-F	N
SMA-F	SMA-M	SMA-M	SMA-M	SKJJJ	N-F	N-M	N-M	N-M	NKJJJ
SMA-M	SMA-F	SMA-F	SMA-F	SJKKK	N-M	N-F	N-F	N-F	NJKKK
SMA-F	SMA-F	SMA-M	SMA-M	SKKJJ	N-F	N-F	N-M	N-M	NKKJJ
SMA-M	SMA-M	SMA-M	SMA-M	SJ	N-M	N-M	N-M	N-M	NJ

Basic Specifications :

Impedance	50 Ω
Connector Type	SMA-F
Size(mm)	50.8*28.5*15.0
Operating Temp	0~+60℃
Storage temperature	-30~+70 ℃

Specifications :

Model No. (X=1: →Clockwise) (X=2: ←Anticlockwise)	Freq. Range GHz	IL. dB (max)	Isolation dB (min)	VSWR (max)	Forward Power W
THH5028CN-X/3.0-3.6GHz	3.0-3.6	1.0	38	1.25	100
THH5028CN-X/3.0-4.2GHz	3.0-4.2	1.0	36	1.30	100
THH5028CN-X/3.0-4.8GHz	3.0-4.8	1.0	36	1.30	100
THH5028CN-X/3.0-5.0GHz	3.0-5.0	1.0	36	1.25	100
THH5028CN-X/3.0-6.0 GHz	3.0-6.0	1.0	36	1.30	100
THH5028CN-X/3.2-6.0GHz	3.2-6.0	1.0	36	1.30	100
THH5028CN-X/3.3-3.8GHz	3.3-3.8	0.8	40	1.25	100
THH5028CN-X/3.3-5.0GHz	3.3-5.0	1.0	36	1.30	100
THH5028CN-X/3.4-3.6GHz	3.4-3.6	0.8	40	1.20	100
THH5028CN-X/3.4-4.2GHz	3.4-4.2	0.8	40	1.25	100
THH5028CN-X/3.7-4.2GHz	3.7-4.2	0.8	40	1.20	100
THH5028CN-X/4.0-5.0GHz	4.0-5.0	0.8	40	1.25	100
THH5028CN-X/4.0-6.0GHz	4.0-6.0	0.9	40	1.25	100
THH5028CN-X/4.4-5.0GHz	4.4-5.0	0.8	40	1.25	100
THH5028CN-X/4.4-5.25GHz	4.4-5.25	0.8	40	1.20	100
THH5028CN-X/4.4-5.9GHz	4.4-5.9	0.8	40	1.25	100
THH5028CN-X/4.5-5.25GHz	4.5-5.25	0.8	40	1.25	100
THH5028CN-X/4.9-5.8GHz	4.9-5.8	0.8	40	1.25	100
THH5028CN-X/5.0-6.0GHz	5.0-6.0	0.8	36	1.30	100
THH5028CN-X/5.0-6.5GHz	5.0-6.5	1.0	36	1.30	100



THH5028CN-X/5.3-5.9GHz	5.3-5.9	0.6	40	1.20	100
THH5028CN-X/5.3-6.3GHz	5.3-6.3	1.0	36	1.30	100
THH5028CN-X/5.4-5.8GHz	5.4-5.8	0.8	40	1.25	100
THH5028CN-X/5.4-6.2GHz	5.4-6.2	0.8	36	1.30	100
THH5028CN-X/5.5-6.0GHz	5.5-6.0	0.8	40	1.25	100

**If the frequency range you need is not covered in the form.
Please contact us for details.**