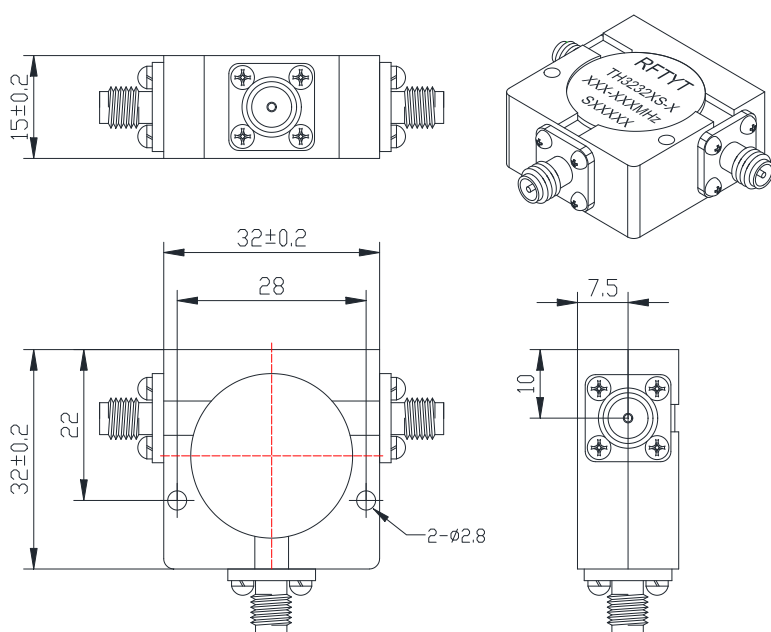
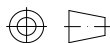


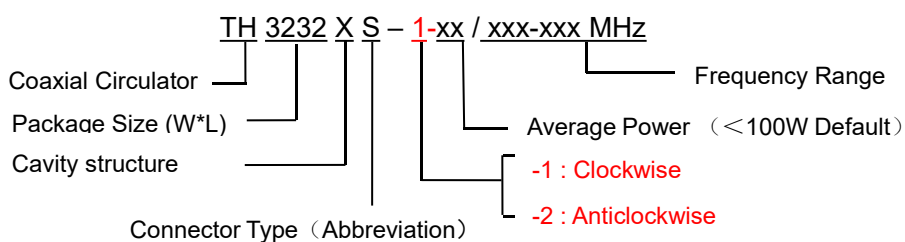
700 to 3000MHz Coaxial Circulator

TH3232XS SMA Type

Outline Drawing (mm):



Order Examples:



Features:

- ◇ Good temperature stability
- ◇ Withstand high power
- ◇ RoHS compliant
- ◇ Weight : ≈320g

Material list:

- ◇ Shell: easy to cut iron plated nickel
- ◇ Inner conductor: silver plated brass
- ◇ Connector housing: gold plated brass

Application:

- ◇ Rf amplifier final stage, protect the amplifier
- ◇ Common transceiver antenna
- ◇ Tropospheric scatter communication
- ◇ GSM/CDMA/TD-SCDMA/WCDMA
- ◇ EGSM/Wimax/TD-LTE/AMPS/SMR
- ◇ 5G and other communication systems



Connector Type:

| SMA Type Connector Options | | | | N Type Connector Options | | | |
|----------------------------|--------|--------|--------------|--------------------------|--------|--------|--------------|
| Port 1 | Port 2 | Port 3 | Abbreviation | Port 1 | Port 2 | Port 3 | Abbreviation |
| K | K | K | S | K | K | K | N |
| K | J | J | SKJJ | K | J | J | NKJJ |
| J | K | J | SJKJ | J | K | J | NJKJ |
| K | K | J | SKKJ | K | K | J | NKKJ |
| J | J | J | SJ | J | J | J | NJ |

Basic Specifications :

| | |
|---------------------|----------------|
| Impedance | 50 Ω |
| Forward Power | 100W |
| Connector Type | SMA-K |
| Size(mm) | 32.0*32.0*15.0 |
| Operating Temp | -30~+70℃ |
| Storage temperature | -50~+90 ℃ |

Specifications :

| Model No. (X=1: →Clockwise) (X=2: ←Anticlockwise) | Freq. Range MHz | IL. dB (max) | Isolation dB (min) | VSWR (max) | POWER W |
|---|--------------------|-----------------|-----------------------|---------------|------------|
| TH3232XS-X/700-900MHz | 700-900 | 0.60 | 18.0 | 1.3 | 100 |
| TH3232XS-X/800-1000MHz | 800-1000 | 0.50 | 18.0 | 1.3 | 100 |
| TH3232XS-X/920-960MHz | 920-960 | 0.30 | 23.0 | 1.20 | 100 |
| TH3232XS-X/960-1215MHz | 960-1215 | 0.40 | 18.0 | 1.3 | 100 |
| TH3232XS-X/1028-1032MHz | 1028-1032 | 0.30 | 25.0 | 1.15 | 100 |
| TH3232XS-X/1700-2200MHz | 1700-2200 | 0.40 | 20.0 | 1.25 | 100 |
| TH3232XS-X/1700-2300MHz | 1700-2300 | 0.50 | 18.0 | 1.30 | 100 |
| TH3232XS-X/1800-2200MHz | 1800-2200 | 0.40 | 20.0 | 1.25 | 100 |
| TH3232XS-X/2200-2700MHz | 2200-2700 | 0.50 | 19.0 | 1.25 | 100 |

Instructions :

- 1, The circulator connector can be selected SMA male and female head, can be used with the user;
- 2, The circulator only provides through power, indicating that the transmission to the antenna and the antenna to the receiving are through power;
- 3, Only some common frequencies in the table, can be produced according to the user's requirements;
- 4, If you do not find what you are looking for, please contact us!