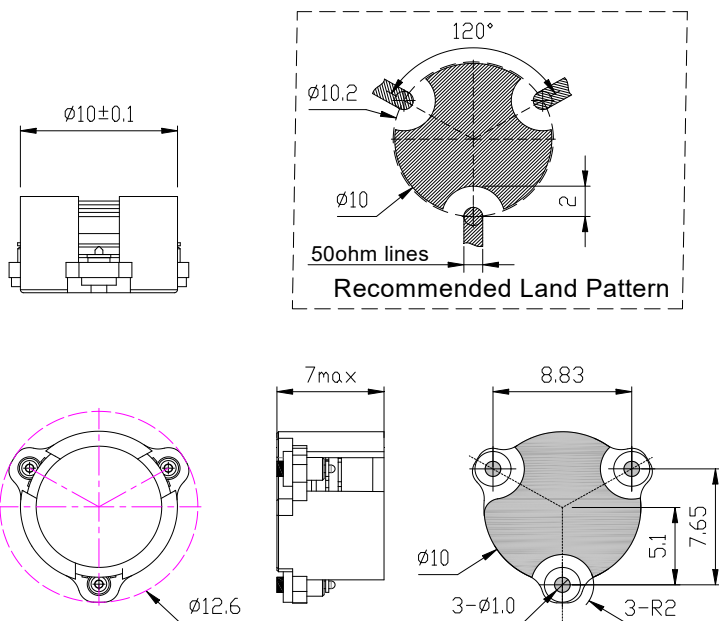
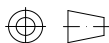


3000 to 6000MHz Surface Mount Circulator

SMTH-D10 SMT

Outline Drawing (mm):



Features:

- ◇ Good temperature stability
- ◇ Withstand high power
- ◇ RoHS compliant
- ◇ Weight : ≈ 5 g

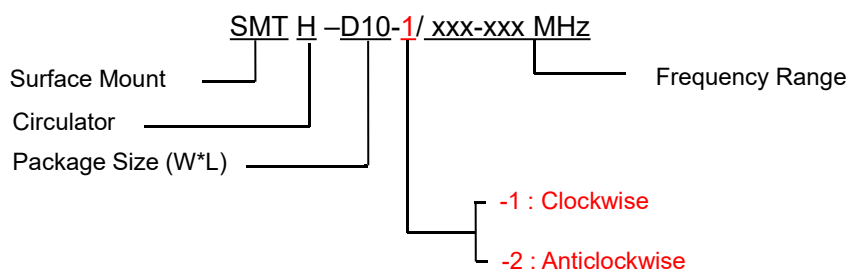
Material list:

- ◇ Shell: industrial pure iron silvered
- ◇ Inner conductor: silver plated brass

Application:

- ◇ Rf amplifier final stage, protect the amplifier
- ◇ Common transceiver antenna
- ◇ Digital communication
- ◇ Satellite communication
- ◇ Mobile communication

Order Examples:



Basic Specifications:

Impedance	50 Ω
Size(mm)	$\Phi 10 \times 7.0$
Operating Temp	-40~+85 $^{\circ}$ C
Storage temperature	-50~+90 $^{\circ}$ C
ConnectorType	SMT

Specifications:

Model No. (X=1: →Clockwise) (X=2: ←Anticlockwise)	Freq. Range MHz	IL. dB (max)	Isolation dB (min)	VSWR	Power CW
SMTH-D10-X/3000-3100MHz	3000-3100	0.30	23.0	1.20	30
SMTH-D10-X/3200-3400MHz	3200-3400	0.30	20.0	1.25	30
SMTH-D10-X/3400-3600MHz	3400-3600	0.30	20.0	1.25	30
SMTH-D10-X/3800MHz	3800	0.30	23.0	1.20	30
SMTH-D10-X/5000-5300MHz	5000-5300	0.40	20.0	1.25	30
SMTH-D10-X/5300-5500MHz	5300-5500	0.30	21.0	1.20	30
SMTH-D10-X/5800-6000MHz	5800-6000	0.30	21.0	1.20	30

Instructions:

- 1, When the surface paste circulator adopts reflow welding process, the maximum temperature does not exceed 260 degrees;
- 2, The circulator only provides through power, indicating that the transmission to the antenna and the antenna to the receiving are through power;
- 3, Only some common frequencies in the table, can be produced according to the user's requirements;
- 4, If you do not find what you are looking for, please contact us!