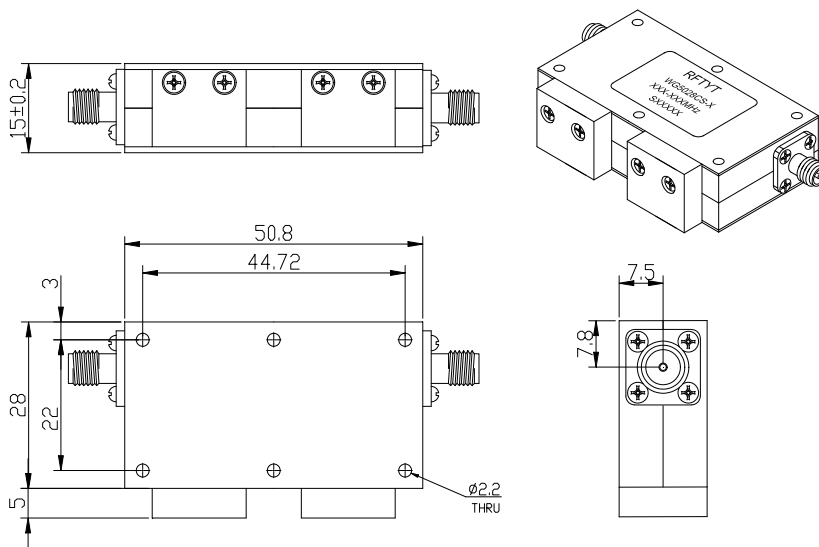


3.0 to 6.0GHz Dual Junction Isolator

TG5028CS SMA Type

Outline Drawing (mm):



Features:

- ◇ Good temperature stability
- ◇ Withstand high power
- ◇ RoHS compliant
- ◇ Weight : ≈ g

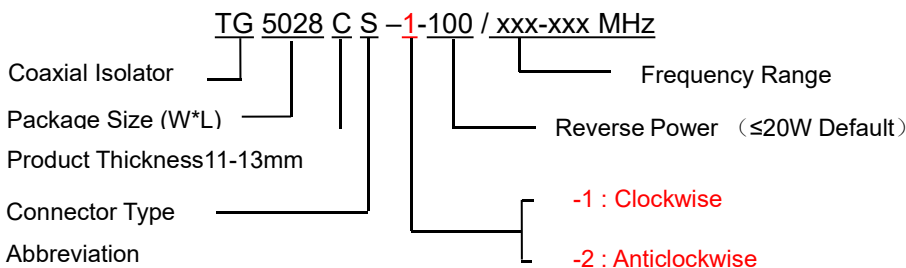
Material list:

- ◇ Cavity: aluminum conductive oxidation
- ◇ Outer shell: industrial pure iron nickel plating
- ◇ Guide body: Silver plated brass
- ◇ Load chamber: aluminum conductive oxidation

Application:

- ◇ Rf amplifier final stage, protect the amplifier
- ◇ Digital communication
- ◇ Satellite communication
- ◇ Mobile communication

Order Examples:



Connector Type

| SMA Type Connector Options | | | N Type Connector Options | | |
|----------------------------|--------|--------------|--------------------------|--------|--------------|
| Port 1 | Port 2 | Abbreviation | Port 1 | Port 2 | Abbreviation |
| SMA-K | SMA-K | S | N-K | N-K | N |
| SMA-K | SMA-J | SKJ | N-J | N-K | NJK |
| SMA-J | SMA-K | SJK | N-K | N-J | NKJ |
| SMA-J | SMA-J | SJ | N-J | N-J | NJ |

Basic Specifications :

| | |
|---------------------|----------------|
| Impedance | 50 Ω |
| Size(mm) | 50.8*28.0*15.0 |
| Operating Temp | -10~+60℃ |
| Storage temperature | -50~+90℃ |
| ConnectorType | SMA-K |

Specifications :

| Model No. (X=1: →Clockwise) (X=2: ←Anticlockwise) | Freq. Range GHz | IL. dB (max) | Isolation dB (min) | VSWR | Forward Power CW | Reverse Power W |
|---|--------------------|--------------------|-----------------------|------|------------------------|-----------------------|
| TG5028CS-X/3.0-3.6GHz | 3.0-3.6 | 1.00 | 38.0 | 1.25 | 100 | 20 |
| TG5028CS-X/3.0-4.2GHz | 3.0-4.2 | 1.00 | 36.0 | 1.30 | 100 | 20 |
| TG5028CS-X/3.0-4.8GHz | 3.0-4.8 | 1.00 | 36.0 | 1.30 | 100 | 20 |
| TG5028CS-X/3.0-5.0GHz | 3.0-5.0 | 1.00 | 36.0 | 1.25 | 100 | 20 |
| TG5028CS-X/3.0-6.0GHz | 3.0-6.0 | 1.00 | 36.0 | 1.30 | 100 | 20 |
| TG5028CS-X/3.2-6.0GHz | 3.2-6.0 | 1.00 | 36.0 | 1.30 | 100 | 20 |
| TG5028CS-X/3.3-3.8GHz | 3.3-3.8 | 0.80 | 40.0 | 1.25 | 100 | 20 |
| TG5028CS-X/3.3-5.0GHz | 3.3-5.0 | 1.00 | 36.0 | 1.30 | 100 | 20 |
| TG5028CS-X/3.4-3.6GHz | 3.4-3.6 | 0.80 | 40.0 | 1.20 | 100 | 20 |
| TG5028CS-X/3.4-4.2GHz | 3.4-4.2 | 0.80 | 40.0 | 1.25 | 100 | 20 |
| TG5028CS-X/3.7-4.2GHz | 3.7-4.2 | 0.80 | 40.0 | 1.20 | 100 | 20 |
| TG5028CS-X/4.0-5.0GHz | 4.0-5.0 | 0.80 | 40.0 | 1.25 | 100 | 20 |
| TG5028CS-X/4.0-6.0GHz | 4.0-6.0 | 0.90 | 40.0 | 1.25 | 100 | 20 |
| TG5028CS-X/4.4-5.0GHz | 4.4-5.0 | 0.80 | 40.0 | 1.25 | 100 | 20 |
| TG5028CS-X/4.4-5.25GHz | 4.4-5.25 | 0.80 | 40.0 | 1.20 | 100 | 20 |
| TG5028CS-X/4.4-5.9GHz | 4.4-5.9 | 0.80 | 40.0 | 1.25 | 100 | 20 |
| TG5028CS-X/4.5-5.25GHz | 4.5-5.25 | 0.80 | 40.0 | 1.25 | 100 | 20 |
| TG5028CS-X/4.9-5.8GHz | 4.9-5.8 | 0.80 | 40.0 | 1.25 | 100 | 20 |
| TG5028CS-X/5.0-6.0GHz | 5.0-6.0 | 0.80 | 36.0 | 1.30 | 100 | 20 |
| TG5028CS-X/5.0-6.5GHz | 5.0-6.5 | 1.00 | 36.0 | 1.30 | 100 | 20 |



| Model No. (X=1: →Clockwise) (X=2: ←Anticlockwise) | Freq. Range GHz | IL. dB (max) | Isolation dB (min) | VSWR | Forward Power CW | Reverse Power W |
|---|--------------------|--------------------|-----------------------|------|------------------------|-----------------------|
| TG5028CS-X/5.3-5.9GHz | 5.3-5.9 | 0.60 | 40.0 | 1.20 | 100 | 20 |
| TG5028CS-X/5.3-6.3GHz | 5.3-6.3 | 1.00 | 36.0 | 1.30 | 100 | 20 |
| TG5028CS-X/5.4-5.8GHz | 5.4-5.8 | 0.80 | 40.0 | 1.25 | 100 | 20 |
| TG5028CS-X/5.4-6.2GHz | 5.4-6.2 | 0.80 | 36.0 | 1.30 | 100 | 20 |
| TG5028CS-X/5.5-6.0GHz | 5.5-6.0 | 0.80 | 40.0 | 1.25 | 100 | 20 |

Instructions:

- 1, The isolator connector can be selected SMA, N, male and female head can be used with the user;
- 2, Only some common frequencies in the table, can be produced according to the user's requirements;
- 3, If you do not find what you are looking for, please contact us!