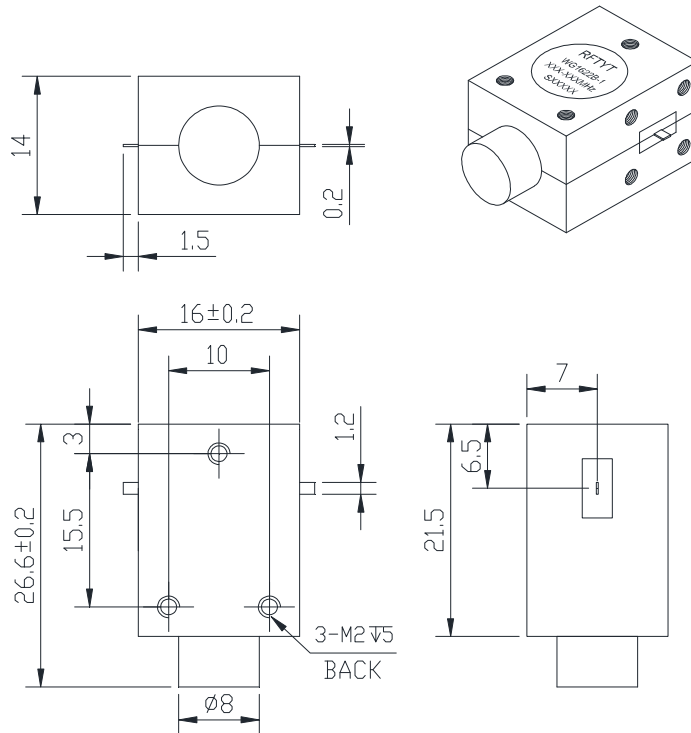


6.0 to 18.0GHz Drop in Isolator

WG1622B Drop-In Type

Outline Drawing (mm):



Features:

- ◇ Good temperature stability
- ◇ Withstand high power
- ◇ RoHS compliant
- ◇ Weight : \approx 22 g

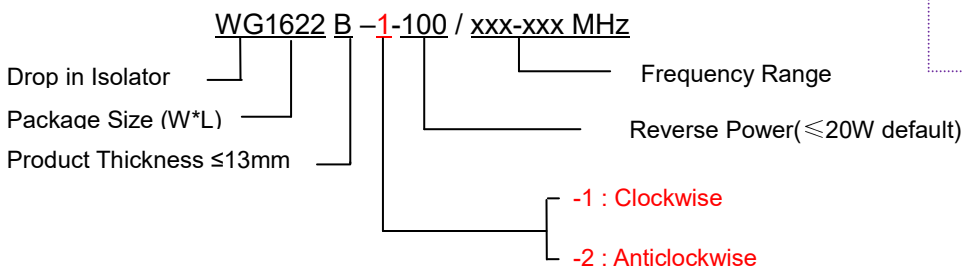
Material list:

- ◇ Cavity: aluminum conductive oxidation
- ◇ Outer shell: industrial pure iron nickel plating
- ◇ Guide body: Silver plated brass
- ◇ Load chamber: aluminum conductive oxidation

Application:

- ◇ Rf amplifier final stage, protect the amplifier
- ◇ Common transceiver antenna
- ◇ Used in civil, military, aerospace and other fields

Order Examples :



Basic Specifications :

Impedance	50 Ω
Size(mm)	16.0*22.0*14.0
Operating Temp	-10~+60 $^{\circ}$ C
Storage temperature	-50~+90 $^{\circ}$ C

Specifications:

Model No. (X=1: →Clockwise) (X=2: ←Anticlockwise)	Freq. Range GHz	IL. dB (max)	Isolation dB (min)	VSWR	Forward Power CW	Reverse Power W
WG1622B-X/6.0-18.0GHz	6.0-18.0	1.50	10.0	1.90	30	5
WG1622B-X/8.0-18.0GHz	8.0-18.0	1.40	12.0	1.60	30	5
WG1622B-X/12.0-18.0GHz	12.0-18.0	0.80	17.0	1.40	30	5
WG1622B-X/13.75-14.5GHz	13.75-14.5	0.50	20.0	1.25	30	5
WG1622B-X/14.5-16.5GHz	14.5-16.5	0.50	18.0	1.30	30	5
WG1622B-X/15.0-18.0GHz	15.0-18.0	0.60	18.0	1.30	30	5
WG1622B-X/16.0-18.0GHz	16.0-18.0	0.60	18.0	1.30	30	5

**If the frequency range you need is not covered in the form.
Please contact us for details.**