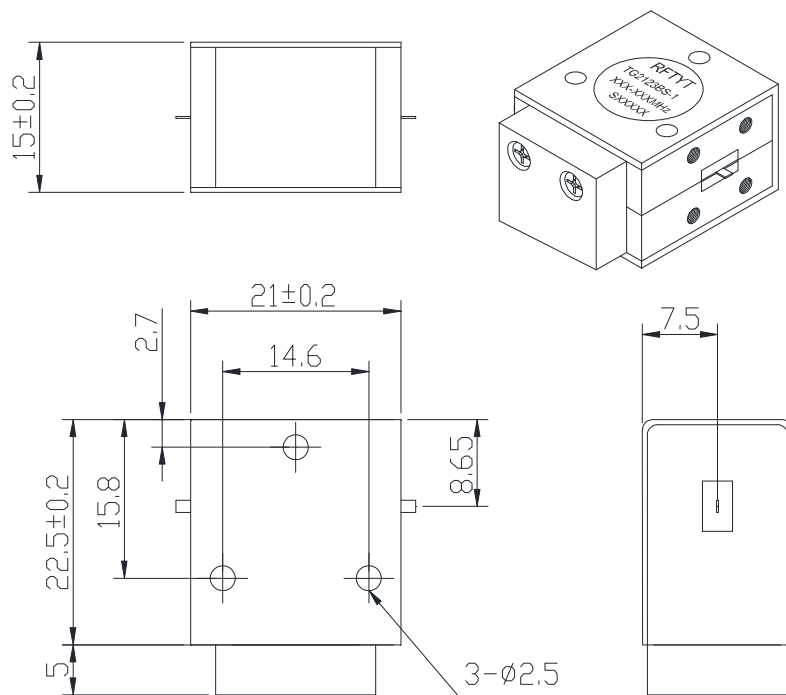


4.0 to 8.0GHz Drop in Isolator

WG2123B Strip Line Type

Outline Drawing (mm): 



Features:

- ◇ Good temperature stability
- ◇ Withstand high power
- ◇ RoHS compliant
- ◇ Weight : \approx 55 g

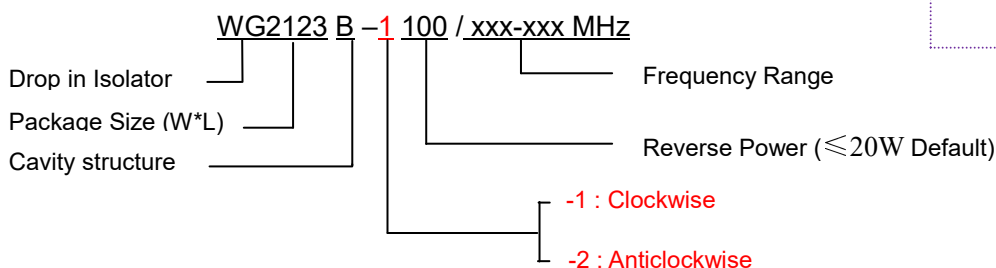
Material list:

- ◇ Cavity: aluminum conductive oxidation
- ◇ Outer shell: industrial pure iron nickel plating
- ◇ Guide body: Silver plated brass
- ◇ Load chamber: aluminum conductive oxidation

Application:

- ◇ Rf amplifier final stage, protect the amplifier
- ◇ Common transceiver antenna
- ◇ Used in civil, military, aerospace and other fields

Order Examples :



Basic Specifications :

Impedance	50 Ω
Connection	Strip Line Type
Size(mm)	21.0*22.5*15.0
Operating Temp	-10~+60 $^{\circ}$ C
Storage temperature	-50~+90 $^{\circ}$ C

+ Specifications:

Model No. (X=1: →Clockwise) (X=2: ←Anticlockwise)	Freq. Range GHz	IL. dB (max)	Isolation dB (min)	VSWR	Forward Power CW	Reverse Power W
WG2123B-X/4.0-7.0GHz	4.0-7.0	0.50	18.0	1.30	50	10
WG2123B-X/4.0-7.2GHz	4.0-7.2	0.50	18.0	1.30	50	10
WG2123B-X/4.0-8.0GHz	4.0-8.0	0.60	18.0	1.30	50	10
WG2123B-X/5.0-7.0GHz	5.0-7.0	0.50	19.0	1.25	50	10
WG2123B-X/5.6-7.0GHz	5.6-7.0	0.50	19.0	1.25	50	10
WG2123B-X/5.8-6.7GHz	5.8-6.7	0.50	19.0	1.25	50	10
WG2123B-X/6.0-8.0GHz	6.0-8.0	0.40	19.0	1.25	50	10

**If the frequency range you need is not covered in the form.
Please contact us for details.**