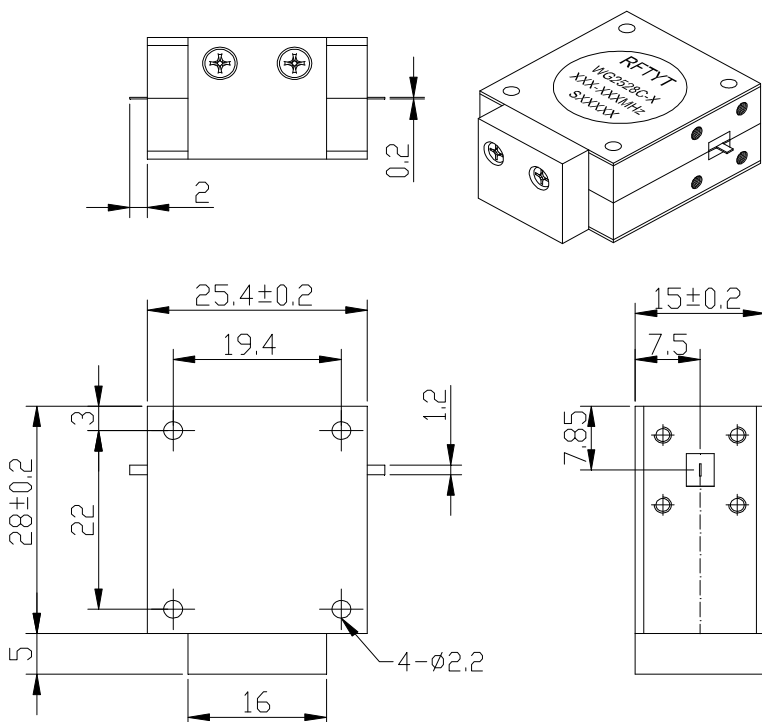
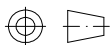


3.0 to 6.0GHz Drop in Isolator

WG2528C Drop-In Type

Outline Drawing (mm):



Features:

- ◇ Good temperature stability
- ◇ Withstand high power
- ◇ RoHS compliant
- ◇ Weight : \approx 55 g

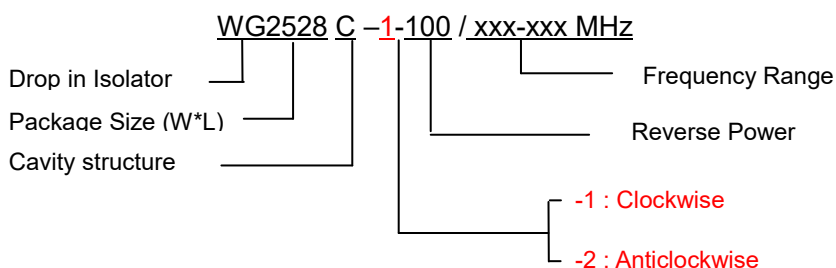
Material list:

- ◇ Cavity: aluminum conductive oxidation
- ◇ Outer shell: industrial pure iron nickel plating
- ◇ Guide body: Silver plated brass
- ◇ Load chamber: aluminum conductive oxidation

Application:

- ◇ Rf amplifier final stage, protect the amplifier
- ◇ For mobile communication
- ◇ Used in civil, military, aerospace and other fields

Order Examples:



Basic Specifications:

Impedance	50 Ω
Size(mm)	25.4*28.0*14.0
Operating Temp	-10~+60 $^{\circ}$ C
Storage temperature	-50~+90 $^{\circ}$ C

Specifications:

Model No. (X=1: →Clockwise) (X=2: ←Anticlockwise)	Freq. Range GHz	IL.dB (max)	Isolation dB (min)	VSWR	Forward Power CW	Reverse Power W
WG2528C-X/3.0-4.0GHz	3.0-4.0	0.50	18.0	1.30	150	20/100
WG2528C-X/3.0-5.0GHz	3.0-5.0	0.50	18.0	1.25	150	20/100
WG2528C-X/3.0-6.0GHz	3.0-6.0	0.50	18.0	1.30	150	20/100
WG2528C-X/4.0-5.0GHz	4.0-5.0	0.40	20.0	1.25	150	20/100
WG2528C-X/4.0-6.0GHz	4.0-6.0	0.45	20.0	1.25	150	20/100
WG2528C-X/5.0-6.0GHz	5.0-6.0	0.40	18.0	1.30	150	20/100

**If the frequency range you need is not covered in the form.
Please contact us for details.**