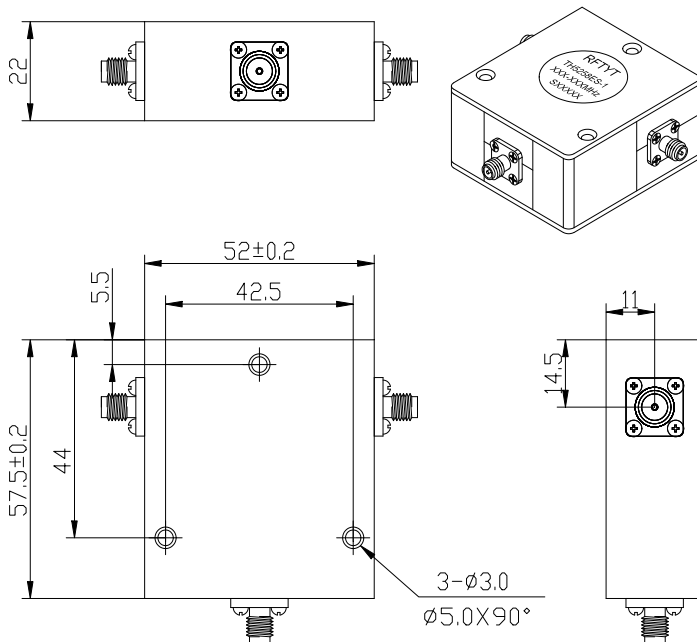
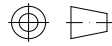


160 to 300MHz Coaxial Circulator

TH5258ES SMA Type



Outline Drawing (mm):



Features:

- ◇ Good temperature stability
- ◇ Withstand high power
- ◇ RoHS compliant
- ◇ Weight : \approx 320 g

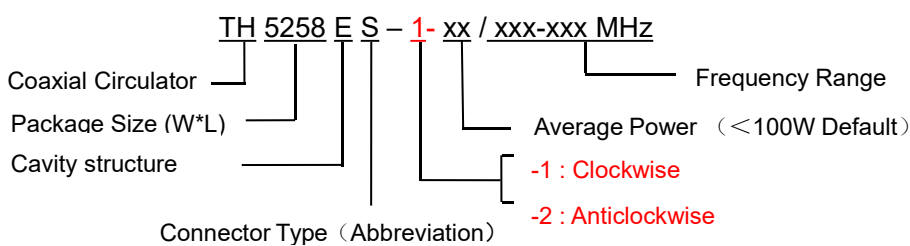
Material list:

- ◇ Cavity: aluminum conductive oxidation
- ◇ Outer shell: industrial pure iron nickel plating
- ◇ Guide body: Silver plated brass
- ◇ Connector housing: gold plated brass

Application:

- ◇ Rf amplifier final stage, protect the amplifier
- ◇ Common transceiver antenna
- ◇ GSM/CDMA/TD-SCDMA/WCDMA
- ◇ EGSM/Wimax/TD-LTE/AMPS/S
- ◇ 5G and other communication systems

Order Examples:



Connector Type:

SMA Type Connector Options				N Type Connector Options			
Port 1	Port 2	Port 3	Abbreviation	Port 1	Port 2	Port 3	Abbreviation
K	K	K	S	K	K	K	N
K	J	J	SKJJ	K	J	J	NKJJ
J	K	J	SJKJ	J	K	J	NJKJ
K	K	J	SKKJ	K	K	J	NKKJ
J	J	J	SJ	J	J	J	NJ

Basic Specifications :

Impedance	50 Ω
Forward Power	100W
Connector Type	SMA-K
Size(mm)	52.0*57.5*22.0
Operating Temp	-10~+70℃
Storage temperature	-50~+90 ℃

Specifications :

Model No. (X=1: →Clockwise) (X=2: ←Anticlockwise)	Freq. Range MHz	IL. dB (max)	Isolation dB (min)	VSWR (max)	POWER W
TH5258ES-X/150-170MHz	150-170	0.90	18.0	1.30	100
TH5258ES-X/160-166MHz	160-166	0.70	20.0	1.25	100
TH5258ES-X/160-170MHz	160-170	0.80	18.0	1.30	100
TH5258ES-X/180-184MHz	180-184	0.50	20.0	1.20	100
TH5258ES-X/192-232MHz	192-232	0.80	18.0	1.30	100
TH5258ES-X/200-210MHz	200-210	0.40	23.0	1.20	100
TH5258ES-X/200-220MHz	200-220	0.40	20.0	1.25	100
TH5258ES-X/215-223MHz	215-223	0.40	23.0	1.20	100
TH5258ES-X/220-240MHz	220-240	0.40	20.0	1.25	100
TH5258ES-X/225-270MHz	225-270	0.60	19.0	1.25	100
TH5258ES-X/230-240MHz	230-240	0.40	23.0	1.20	100
TH5258ES-X/235-255MHz	235-255	0.40	20.0	1.25	100
TH5258ES-X/260-270MHz	260-270	0.30	23.0	1.20	100
TH5258ES-X/260-330MHz	260-330	0.60	18.0	1.30	100

Instructions :

- 1, The circulator connector can be selected SMA, N, male and female head can be used with the user;
2. The circulator only refers to the through power, which means that the transmission to the antenna and the antenna to the reception are all through power;
- 3, Only some common frequencies in the table, can be produced according to the user's requirements;
- 4, If you do not find what you are looking for, please contact us!