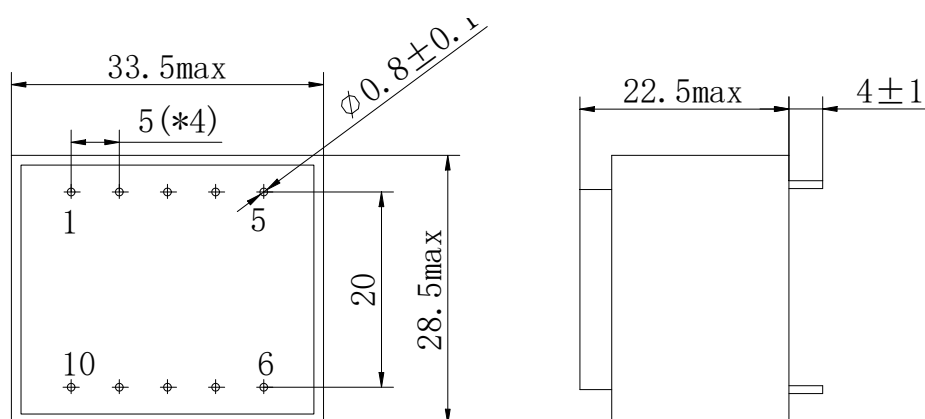


## EI30-10.5 1.8VA Encapsulated Transformer

### FEATURES

- CQC file No.: CQC17001167224
- CE file No: BSTXD190311209301EC/BSTXD190311209301SC
- Vacuum Filling, Encapsulated Design Prevent dust and humidity
- High efficiency, Low Temperature Rise
- Dielectric Strength 4000VAC
- Class B (130° C) insulation material.
- Operating temperature from -40° C to 70° C
- Design according to EN61558-1, EN61000,GB19212-1, GB19212-7
- 100% Production Tested

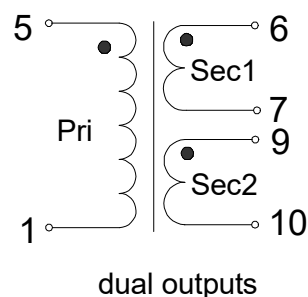
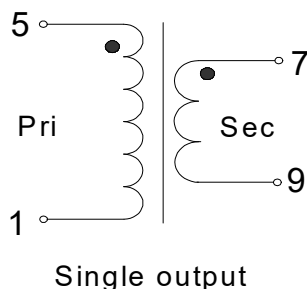
### OUTLINE DIMENSIONS



### COMMON APPLICATIONS

- Medical equipment
- Industrial equipment
- Industrial control
- Test equipment
- Industrial computer
- Avionics and Telecommunications

### SCHEMATIC DIAGRAM



## ELECTRONIC SPECIFICATIONS:

PART NO	Primary [V]	Secondary [V]	Current [mA]	Ambient TEMP.(°C)	Weight (g)	Certificate			
						VDE	UL	CQC	CE
XP301-664	115V 50/60Hz	4.5V	400mA	T40 B	73		•		•
XP301-665	115V 50/60Hz	6V	300mA	T40 B	73		•		•
XP301-666	115V 50/60Hz	7.5V	240mA	T40 B	73		•		•
XP301-667	115V 50/60Hz	9V	200mA	T40 B	73		•		•
XP301-668	115V 50/60Hz	12V	150mA	T40 B	73		•		•
XP301-669	115V 50/60Hz	15V	120mA	T40 B	73		•		•
XP301-670	115V 50/60Hz	18V	100mA	T40 B	73		•		•
XP301-671	115V 50/60Hz	24V	75mA	T40 B	73		•		•
XP302-672	115V 50/60Hz	2x4.5V	2x200mA	T40 B	73		•		•
XP302-673	115V 50/60Hz	2x6V	2x150mA	T40 B	73		•		•
XP302-674	115V 50/60Hz	2x7.5V	2x120mA	T40 B	73		•		•
XP302-675	115V 50/60Hz	2x9V	2x100mA	T40 B	73		•		•
XP302-676	115V 50/60Hz	2x12V	2x75mA	T40 B	73		•		•
XP302-677	115V 50/60Hz	2x15V	2x60mA	T40 B	73		•		•
XP302-678	115V 50/60Hz	2x18V	2x50mA	T40 B	73		•		•
XP302-679	115V 50/60Hz	2x24V	2x38mA	T40 B	73		•		•
XP301-564	230V 50/60Hz	4.5V	400mA	T40 B	73		•	•	•
XP301-565	230V 50/60Hz	6V	300mA	T40 B	73		•	•	•
XP301-566	230V 50/60Hz	7.5V	240mA	T40 B	73		•	•	•
XP301-567	230V 50/60Hz	9V	200mA	T40 B	73		•	•	•
XP301-568	230V 50/60Hz	12V	150mA	T40 B	73		•	•	•
XP301-569	230V 50/60Hz	15V	120mA	T40 B	73		•	•	•
XP301-570	230V 50/60Hz	18V	100mA	T40 B	73		•	•	•
XP301-571	230V 50/60Hz	24V	75mA	T40 B	73		•	•	•
XP302-572	230V 50/60Hz	2x4.5V	2x200mA	T40 B	73		•	•	•
XP302-573	230V 50/60Hz	2x6V	2x150mA	T40 B	73		•	•	•
XP302-574	230V 50/60Hz	2x7.5V	2x120mA	T40 B	73		•	•	•
XP302-575	230V 50/60Hz	2x9V	2x100mA	T40 B	73		•	•	•
XP302-576	230V 50/60Hz	2x12V	2x75mA	T40 B	73		•	•	•
XP302-577	230V 50/60Hz	2x15V	2x60mA	T40 B	73		•	•	•
XP302-578	230V 50/60Hz	2x18V	2x50mA	T40 B	73		•	•	•
XP302-579	230V 50/60Hz	2x24V	2x38mA	T40 B	73		•	•	•