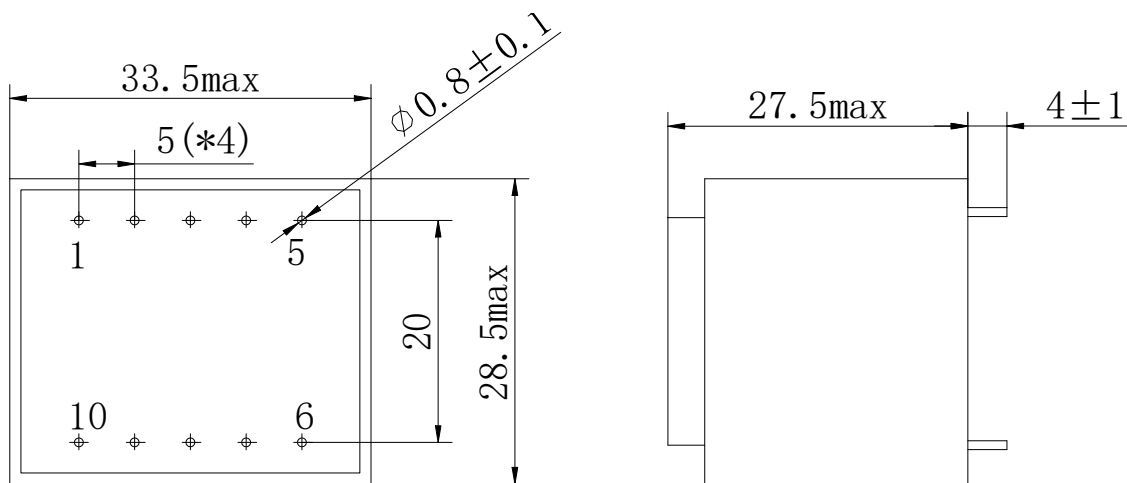


## EI30-15.5 2.4VA Encapsulated Transformer

### FEATURES

- CQC file No.: CQC17001167224
- CE file No: BSTXD190311209301EC/BSTXD190311209301SC
- Vacuum Filling, Encapsulated Design Prevent dust and humidity
- High efficiency, Low Temperature Rise
- Dielectric Strength 4000VAC
- Class B (130° C) insulation material.
- Operating temperature from -40 ° C to 70 ° C
- Design according to EN61558-1, EN61000,GB19212-1, GB19212-7
- 100% Production Tested

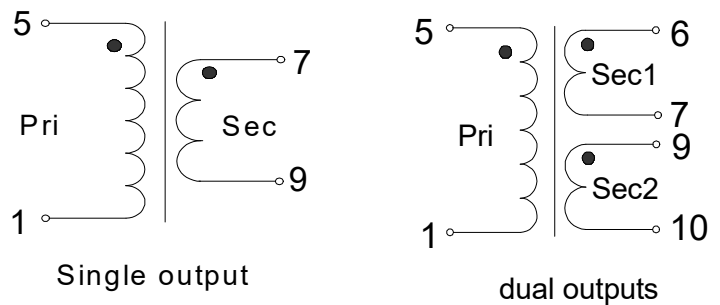
### OUTLINE DIMENSIONS



### COMMON APPLICATIONS

- Medical equipment
- Industrial equipment
- Industrial control
- Test equipment
- Industrial computer
- Avionics and Telecommunications

### SCHEMATIC DIAGRAM



## ELECTRONIC SPECIFICATIONS:

| PART NO   | Primary [V]  | Secondary [V] | Current [mA] | Ambient TEMP.(°C) | Weight (g) | Certificate |    |     |    |
|-----------|--------------|---------------|--------------|-------------------|------------|-------------|----|-----|----|
|           |              |               |              |                   |            | VDE         | UL | CQC | CE |
| XP301-828 | 115V 50/60Hz | 4.5V          | 533mA        | T40 B             | 98         |             | •  |     | •  |
| XP301-829 | 115V 50/60Hz | 6V            | 400mA        | T40 B             | 98         |             | •  |     | •  |
| XP301-830 | 115V 50/60Hz | 7.5V          | 320mA        | T40 B             | 98         |             | •  |     | •  |
| XP301-831 | 115V 50/60Hz | 9V            | 267mA        | T40 B             | 98         |             | •  |     | •  |
| XP301-832 | 115V 50/60Hz | 12V           | 200mA        | T40 B             | 98         |             | •  |     | •  |
| XP301-833 | 115V 50/60Hz | 15V           | 160mA        | T40 B             | 98         |             | •  |     | •  |
| XP301-834 | 115V 50/60Hz | 18V           | 133mA        | T40 B             | 98         |             | •  |     | •  |
| XP301-835 | 115V 50/60Hz | 24V           | 100mA        | T40 B             | 98         |             | •  |     | •  |
| XP302-836 | 115V 50/60Hz | 2x4.5V        | 2x267mA      | T40 B             | 98         |             | •  |     | •  |
| XP302-837 | 115V 50/60Hz | 2x6V          | 2x200mA      | T40 B             | 98         |             | •  |     | •  |
| XP302-838 | 115V 50/60Hz | 2x7.5V        | 2x160mA      | T40 B             | 98         |             | •  |     | •  |
| XP302-839 | 115V 50/60Hz | 2x9V          | 2x133mA      | T40 B             | 98         |             | •  |     | •  |
| XP302-840 | 115V 50/60Hz | 2x12V         | 2x100mA      | T40 B             | 98         |             | •  |     | •  |
| XP302-841 | 115V 50/60Hz | 2x15V         | 2x80mA       | T40 B             | 98         |             | •  |     | •  |
| XP302-842 | 115V 50/60Hz | 2x18V         | 2x67mA       | T40 B             | 98         |             | •  |     | •  |
| XP302-843 | 115V 50/60Hz | 2x24V         | 2x50mA       | T40 B             | 98         |             | •  |     | •  |
| XP301-728 | 230V 50/60Hz | 4.5V          | 533mA        | T40 B             | 98         |             | •  | •   | •  |
| XP301-729 | 230V 50/60Hz | 6V            | 400mA        | T40 B             | 98         |             | •  | •   | •  |
| XP301-730 | 230V 50/60Hz | 7.5V          | 320mA        | T40 B             | 98         |             | •  | •   | •  |
| XP301-731 | 230V 50/60Hz | 9V            | 267mA        | T40 B             | 98         |             | •  | •   | •  |
| XP301-732 | 230V 50/60Hz | 12V           | 200mA        | T40 B             | 98         |             | •  | •   | •  |
| XP301-733 | 230V 50/60Hz | 15V           | 160mA        | T40 B             | 98         |             | •  | •   | •  |
| XP301-734 | 230V 50/60Hz | 18V           | 133mA        | T40 B             | 98         |             | •  | •   | •  |
| XP301-735 | 230V 50/60Hz | 24V           | 100mA        | T40 B             | 98         |             | •  | •   | •  |
| XP302-736 | 230V 50/60Hz | 2x4.5V        | 2x267mA      | T40 B             | 98         |             | •  | •   | •  |
| XP302-737 | 230V 50/60Hz | 2x6V          | 2x200mA      | T40 B             | 98         |             | •  | •   | •  |
| XP302-738 | 230V 50/60Hz | 2x7.5V        | 2x160mA      | T40 B             | 98         |             | •  | •   | •  |
| XP302-739 | 230V 50/60Hz | 2x9V          | 2x133mA      | T40 B             | 98         |             | •  | •   | •  |
| XP302-740 | 230V 50/60Hz | 2x12V         | 2x100mA      | T40 B             | 98         |             | •  | •   | •  |
| XP302-741 | 230V 50/60Hz | 2x15V         | 2x80mA       | T40 B             | 98         |             | •  | •   | •  |
| XP302-742 | 230V 50/60Hz | 2x18V         | 2x67mA       | T40 B             | 98         |             | •  | •   | •  |
| XP302-743 | 230V 50/60Hz | 2x24V         | 2x50mA       | T40 B             | 98         |             | •  | •   | •  |