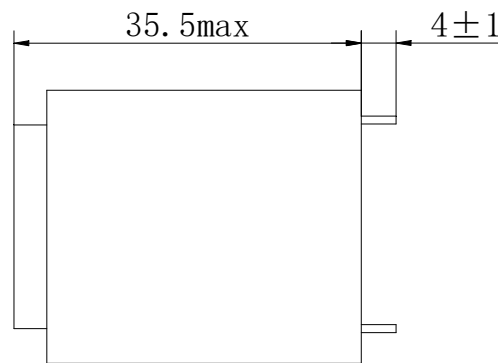
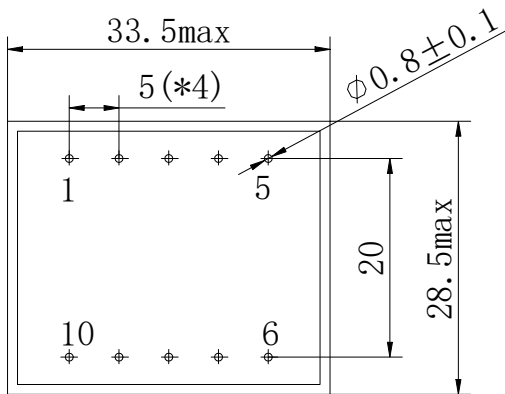


## EI30-23 2.8VA Encapsulated Transformer

### FEATURES

- CQC file No.: CQC17001167224
- CE file No: BSTXD190311209301EC/BSTXD190311209301SC
- Vacuum Filling, Encapsulated Design Prevent dust and humidity
- High efficiency, Low Temperature Rise
- Dielectric Strength 4000VAC
- Class B (130° C) insulation material.
- Operating temperature from -40° C to 70° C
- Design according to EN61558-1, EN61000,GB19212-1, GB19212-7
- 100% Production Tested

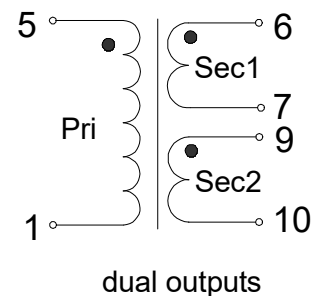
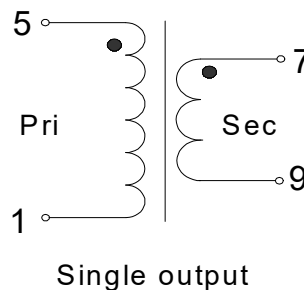
### OUTLINE DIMENSIONS



### COMMON APPLICATIONS

- Medical equipment
- Industrial equipment
- Industrial control
- Test equipment
- Industrial computer
- Avionics and Telecommunications

### SCHEMATIC DIAGRAM



PART NO	Primary [V]	Secondary [V]	Current [mA]	Ambient TEMP.(°C)	Weight (g)	Certificate			
						VDE	UL	CQC	CE
XP301-876	115V 50/60Hz	4.5V	622mA	T70 B	139		•		•
XP301-877	115V 50/60Hz	6V	467mA	T70 B	139		•		•
XP301-878	115V 50/60Hz	7.5V	373mA	T70 B	139		•		•
XP301-879	115V 50/60Hz	9V	311mA	T70 B	139		•		•
XP301-880	115V 50/60Hz	12V	233mA	T70 B	139		•		•
XP301-881	115V 50/60Hz	15V	187mA	T70 B	139		•		•
XP301-882	115V 50/60Hz	18V	156mA	T70 B	139		•		•
XP301-883	115V 50/60Hz	24V	117mA	T70 B	139		•		•
XP302-884	115V 50/60Hz	2x4.5V	2x311mA	T70 B	139		•		•
XP302-885	115V 50/60Hz	2x6V	2x233mA	T70 B	139		•		•
XP302-886	115V 50/60Hz	2x7.5V	2x187mA	T70 B	139		•		•
XP302-887	115V 50/60Hz	2x9V	2x156mA	T70 B	139		•		•
XP302-888	115V 50/60Hz	2x12V	2x117mA	T70 B	139		•		•
XP302-889	115V 50/60Hz	2x15V	2x93mA	T70 B	139		•		•
XP302-890	115V 50/60Hz	2x18V	2x78mA	T70 B	139		•		•
XP302-891	115V 50/60Hz	2x24V	2x58mA	T70 B	139		•		•
XP301-776	230V 50/60Hz	4.5V	622mA	T70 B	139		•	•	•
XP301-777	230V 50/60Hz	6V	467mA	T70 B	139		•	•	•
XP301-778	230V 50/60Hz	7.5V	373mA	T70 B	139		•	•	•
XP301-779	230V 50/60Hz	9V	311mA	T70 B	139		•	•	•
XP301-780	230V 50/60Hz	12V	233mA	T70 B	139		•	•	•
XP301-781	230V 50/60Hz	15V	187mA	T70 B	139		•	•	•
XP301-782	230V 50/60Hz	18V	156mA	T70 B	139		•	•	•
XP301-783	230V 50/60Hz	24V	117mA	T70 B	139		•	•	•
XP302-784	230V 50/60Hz	2x4.5V	2x311mA	T70 B	139		•	•	•
XP302-785	230V 50/60Hz	2x6V	2x233mA	T70 B	139		•	•	•
XP302-786	230V 50/60Hz	2x7.5V	2x187mA	T70 B	139		•	•	•
XP302-787	230V 50/60Hz	2x9V	2x156mA	T70 B	139		•	•	•
XP302-788	230V 50/60Hz	2x12V	2x117mA	T70 B	139		•	•	•
XP302-789	230V 50/60Hz	2x15V	2x93mA	T70 B	139		•	•	•
XP302-790	230V 50/60Hz	2x18V	2x78mA	T70 B	139		•	•	•
XP302-791	230V 50/60Hz	2x24V	2x58mA	T70 B	139		•	•	•