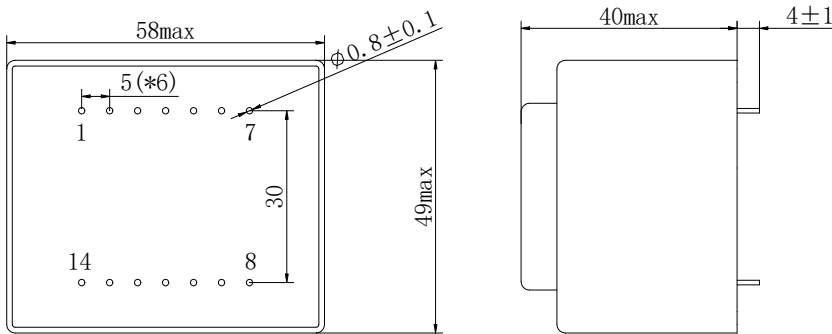


EI54-18.8 16.0VA Encapsulated Transformer

FEATURES

- CQC file No.: CQC17001167224
- CE file No: BSTXD190311209301EC/BSTXD190311209301SC
- Vacuum Filling, Encapsulated Design Prevent dust and humidity
- High efficiency, Low Temperature Rise
- Dielectric Strength 4000VAC
- Class B (130° C) insulation material.
- Operating temperature from -40° C to 70° C
- Design according to EN61558-1, EN61000,GB19212-1, GB19212-7
- 100% Production Tested

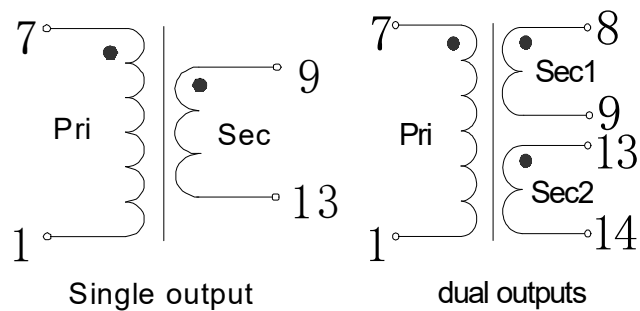
OUTLINE DIMENSIONS



COMMON APPLICATIONS

- Medical equipment
- Industrial equipment
- Industrial control
- Test equipment
- Industrial computer
- Avionics and Telecommunications

SCHEMATIC DIAGRAM



ELECTRONIC SPECIFICATIONS:

PART NO	Primary [V]	Secondary [V]	Current [mA]	Ambient TEMP.(°C)	Weight (g)	Certificate			
						VDE	UL	CQC	CE
XP541-816	115V 50/60Hz	4.5V	3555mA	T40 B	420		•		•
XP541-817	115V 50/60Hz	6V	2666mA	T40 B	420		•		•
XP541-818	115V 50/60Hz	7.5V	2133mA	T40 B	420		•		•
XP541-819	115V 50/60Hz	9V	1777mA	T40 B	420		•		•
XP541-820	115V 50/60Hz	12V	1333mA	T40 B	420		•		•
XP541-821	115V 50/60Hz	15V	1066mA	T40 B	420		•		•
XP541-822	115V 50/60Hz	18V	888mA	T40 B	420		•		•
XP541-823	115V 50/60Hz	24V	666mA	T40 B	420		•		•
XP542-824	115V 50/60Hz	2x4.5V	2x1777mA	T40 B	420		•		•
XP542-825	115V 50/60Hz	2x6V	2x1333mA	T40 B	420		•		•
XP542-826	115V 50/60Hz	2x7.5V	2x1066mA	T40 B	420		•		•
XP542-827	115V 50/60Hz	2x9V	2x888mA	T40 B	420		•		•
XP542-828	115V 50/60Hz	2x12V	2x666mA	T40 B	420		•		•
XP542-829	115V 50/60Hz	2x15V	2x516mA	T40 B	420		•		•
XP542-830	115V 50/60Hz	2x18V	2x444mA	T40 B	420		•		•
XP542-831	115V 50/60Hz	2x24V	2x333mA	T40 B	420		•		•
XP541-916	230V 50/60Hz	4.5V	3555mA	T40 B	420		•	•	•
XP541-917	230V 50/60Hz	6V	2666mA	T40 B	420		•	•	•
XP541-918	230V 50/60Hz	7.5V	2133mA	T40 B	420		•	•	•
XP541-919	230V 50/60Hz	9V	1777mA	T40 B	420		•	•	•
XP541-920	230V 50/60Hz	12V	1333mA	T40 B	420		•	•	•
XP541-921	230V 50/60Hz	15V	1066mA	T40 B	420		•	•	•
XP541-922	230V 50/60Hz	18V	888mA	T40 B	420		•	•	•
XP541-923	230V 50/60Hz	24V	666mA	T40 B	420		•	•	•
XP542-924	230V 50/60Hz	2x4.5V	2x1777mA	T40 B	420		•	•	•
XP542-925	230V 50/60Hz	2x6V	2x1333mA	T40 B	420		•	•	•
XP542-926	230V 50/60Hz	2x7.5V	2x1066mA	T40 B	420		•	•	•
XP542-927	230V 50/60Hz	2x9V	2x888mA	T40 B	420		•	•	•
XP542-928	230V 50/60Hz	2x12V	2x666mA	T40 B	420		•	•	•
XP542-929	230V 50/60Hz	2x15V	2x516mA	T40 B	420		•	•	•
XP542-930	230V 50/60Hz	2x18V	2x444mA	T40 B	420		•	•	•
XP542-931	230V 50/60Hz	2x24V	2x333mA	T40 B	420		•	•	•