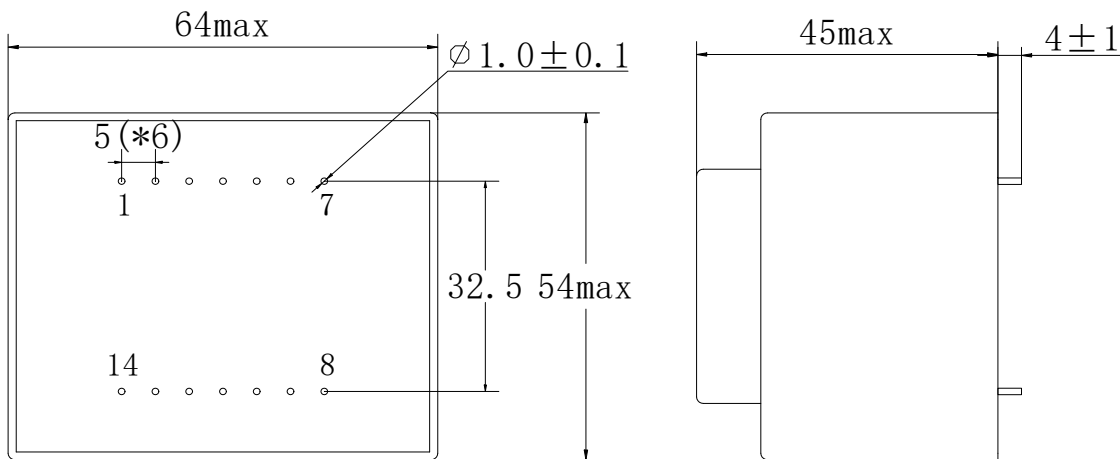


EI60-21 20.0VA Encapsulated Transformer

FEATURES

- CQC file No.: CQC17001167224
- CE file No: BSTXD190311209301EC/BSTXD190311209301SC
- Vacuum Filling, Encapsulated Design Prevent dust and humidity
- High efficiency, Low Temperature Rise
- Dielectric Strength 4000VAC
- Class B (130° C) insulation material.
- Operating temperature from -40° C to 70° C
- Design according to EN61558-1, EN61000,GB19212-1, GB19212-7
- 100% Production Tested

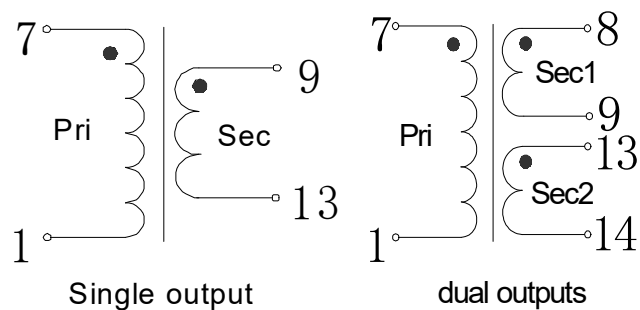
OUTLINE DIMENSIONS



COMMON APPLICATIONS

- Medical equipment
- Industrial equipment
- Industrial control
- Test equipment
- Industrial computer
- Avionics and Telecommunications

SCHEMATIC DIAGRAM



ELECTRONIC SPECIFICATIONS:

PART NO	Primary [V]	Secondary [V]	Current [mA]	Ambient TEMP.(°C)	Weight (g)	Certificate			
						VDE	UL	CQC	CE
XP601-800	115V 50/60Hz	4.5V	4444mA	T70 B	570		•		•
XP601-801	115V 50/60Hz	6V	3333mA	T70 B	570		•		•
XP601-802	115V 50/60Hz	7.5V	2666mA	T70 B	570		•		•
XP601-803	115V 50/60Hz	9V	2222mA	T70 B	570		•		•
XP601-804	115V 50/60Hz	12V	1066mA	T70 B	570		•		•
XP601-805	115V 50/60Hz	15V	1333mA	T70 B	570		•		•
XP601-806	115V 50/60Hz	18V	1111mA	T70 B	570		•		•
XP601-807	115V 50/60Hz	24V	833mA	T70 B	570		•		•
XP602-808	115V 50/60Hz	2x4.5V	2x2222mA	T70 B	570		•		•
XP602-809	115V 50/60Hz	2x6V	2x1666mA	T70 B	570		•		•
XP602-810	115V 50/60Hz	2x7.5V	2x1333mA	T70 B	570		•		•
XP602-811	115V 50/60Hz	2x9V	2x1111mA	T70 B	570		•		•
XP602-812	115V 50/60Hz	2x12V	2x833mA	T70 B	570		•		•
XP602-813	115V 50/60Hz	2x15V	2x666mA	T70 B	570		•		•
XP602-814	115V 50/60Hz	2x18V	2x555mA	T70 B	570		•		•
XP602-815	115V 50/60Hz	2x24V	2x416mA	T70 B	570		•		•
XP601-900	230V 50/60Hz	4.5V	4444mA	T70 B	570		•	•	•
XP601-901	230V 50/60Hz	6V	3333mA	T70 B	570		•	•	•
XP601-902	230V 50/60Hz	7.5V	2666mA	T70 B	570		•	•	•
XP601-903	230V 50/60Hz	9V	2222mA	T70 B	570		•	•	•
XP601-904	230V 50/60Hz	12V	1066mA	T70 B	570		•	•	•
XP601-905	230V 50/60Hz	15V	1333mA	T70 B	570		•	•	•
XP601-906	230V 50/60Hz	18V	1111mA	T70 B	570		•	•	•
XP601-907	230V 50/60Hz	24V	833mA	T70 B	570		•	•	•
XP602-908	230V 50/60Hz	2x4.5V	2x2222mA	T70 B	570		•	•	•
XP602-909	230V 50/60Hz	2x6V	2x1666mA	T70 B	570		•	•	•
XP602-910	230V 50/60Hz	2x7.5V	2x1333mA	T70 B	570		•	•	•
XP602-911	230V 50/60Hz	2x9V	2x1111mA	T70 B	570		•	•	•
XP602-912	230V 50/60Hz	2x12V	2x833mA	T70 B	570		•	•	•
XP602-913	230V 50/60Hz	2x15V	2x666mA	T70 B	570		•	•	•
XP602-914	230V 50/60Hz	2x18V	2x555mA	T70 B	570		•	•	•
XP602-915	230V 50/60Hz	2x24V	2x416mA	T70 B	570		•	•	•