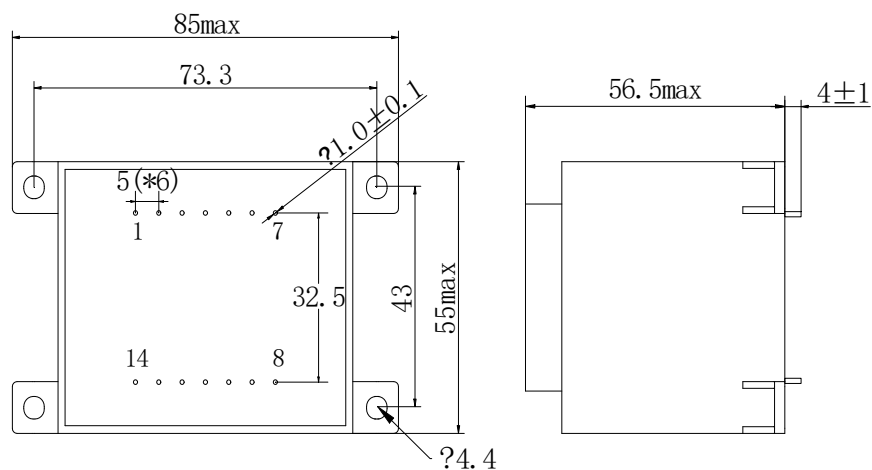


## EI60-31 30.0VA Encapsulated Transformer

### FEATURES

- CQC file No.: CQC17001167224
- CE file No: BSTXD190311209301EC/BSTXD190311209301SC
- Vacuum Filling, Encapsulated Design Prevent dust and humidity
- High efficiency, Low Temperature Rise
- Dielectric Strength 4000VAC
- Class B (130° C) insulation material.
- Operating temperature from -40° C to 70° C
- Design according to EN61558-1, EN61000,GB19212-1, GB19212-7
- 100% Production Tested

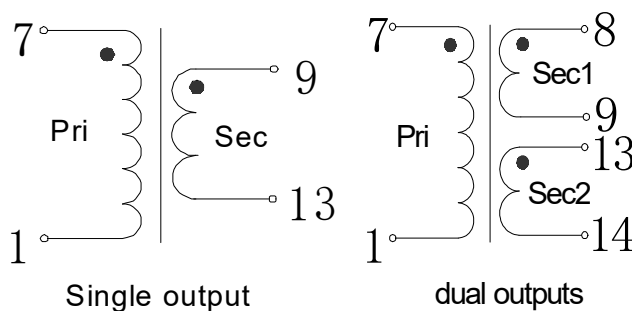
### OUTLINE DIMENSIONS



### COMMON APPLICATIONS

- Medical equipment
- Industrial equipment
- Industrial control
- Test equipment
- Industrial computer
- Avionics and Telecommunications

### SCHEMATIC DIAGRAM



## ELECTRONIC SPECIFICATIONS:

PART NO	Primary [V]	Secondary [V]	Current [mA]	Ambient TEMP.(°C)	Weight (g)	Certificate			
						VDE	UL	CQC	CE
XP601-832	115V 50/60Hz	4.5V	6666mA	T70 B	783		•		•
XP601-833	115V 50/60Hz	6V	5000mA	T70 B	783		•		•
XP601-834	115V 50/60Hz	7.5V	4000mA	T70 B	783		•		•
XP601-835	115V 50/60Hz	9V	3333mA	T70 B	783		•		•
XP601-836	115V 50/60Hz	12V	2500mA	T70 B	783		•		•
XP601-837	115V 50/60Hz	15V	2000mA	T70 B	783		•		•
XP601-838	115V 50/60Hz	18V	1666mA	T70 B	783		•		•
XP601-839	115V 50/60Hz	24V	1250mA	T70 B	783		•		•
XP602-840	115V 50/60Hz	2x4.5V	2x3333mA	T70 B	783		•		•
XP602-841	115V 50/60Hz	2x6V	2x2250mA	T70 B	783		•		•
XP602-842	115V 50/60Hz	2x7.5V	2x2000mA	T70 B	783		•		•
XP602-843	115V 50/60Hz	2x9V	2x1666mA	T70 B	783		•		•
XP602-844	115V 50/60Hz	2x12V	2x1250mA	T70 B	783		•		•
XP602-845	115V 50/60Hz	2x15V	2x1000mA	T70 B	783		•		•
XP602-846	115V 50/60Hz	2x18V	2x833mA	T70 B	783		•		•
XP602-847	115V 50/60Hz	2x24V	2x625mA	T70 B	783		•		•
XP601-932	230V 50/60Hz	4.5V	6666mA	T70 B	783		•	•	•
XP601-933	230V 50/60Hz	6V	5000mA	T70 B	783		•	•	•
XP601-934	230V 50/60Hz	7.5V	4000mA	T70 B	783		•	•	•
XP601-935	230V 50/60Hz	9V	3333mA	T70 B	783		•	•	•
XP601-936	230V 50/60Hz	12V	2500mA	T70 B	783		•	•	•
XP601-937	230V 50/60Hz	15V	2000mA	T70 B	783		•	•	•
XP601-938	230V 50/60Hz	18V	1666mA	T70 B	783		•	•	•
XP601-939	230V 50/60Hz	24V	1250mA	T70 B	783		•	•	•
XP602-940	230V 50/60Hz	2x4.5V	2x3333mA	T70 B	783		•	•	•
XP602-941	230V 50/60Hz	2x6V	2x2250mA	T70 B	783		•	•	•
XP602-942	230V 50/60Hz	2x7.5V	2x2000mA	T70 B	783		•	•	•
XP602-943	230V 50/60Hz	2x9V	2x1666mA	T70 B	783		•	•	•
XP602-944	230V 50/60Hz	2x12V	2x1250mA	T70 B	783		•	•	•
XP602-945	230V 50/60Hz	2x15V	2x1000mA	T70 B	783		•	•	•
XP602-946	230V 50/60Hz	2x18V	2x833mA	T70 B	783		•	•	•
XP602-947	230V 50/60Hz	2x24V	2x625mA	T70 B	783		•	•	•